



# Hot Water for your Home



**Residential  
Water Heating Range**

**Edition 6.0  
February 2024**

# We're committed to Aotearoa – the land, the people, and our future.

## We're designing for zero waste.

Since 1958, Rheem has been a leader in water heating innovation in New Zealand, and this isn't changing any time soon.

We're committed to improving our products and processes, so we can dramatically cut our impact on the environment.

It's all part of our bold vision for the future.

Intelligent products, responsible processes and inspired people are all integral to achieving our zero waste goal – so that's exactly where we are focusing our efforts.

Rheem is a member of the Sustainable Energy Association of New Zealand, SEANZ.





Install a Rheem®

# Rheem HAS GONE SOLSTICE<sup>zd</sup> Green

SOLSTICE<sup>zd</sup> LBA IS  
THE NEW STANDARD  
FOR THERMAL FOAM  
INSULATION

- BETTER FOR THE ENVIRONMENT
- EXCEEDS NZ MINIMUM ENERGY PERFORMANCE STANDARDS (MEPS)
- ZERO OZONE DEPLETING PROPERTIES
- ULTRA LOW GLOBAL WARMING POTENTIAL (GWP)\*

## Go Green, Install a Rheem

\*Visit [ww2arb.ca.gov/resources/documents/high-gwp-refrigerants](http://ww2arb.ca.gov/resources/documents/high-gwp-refrigerants) for more information

For further information  
call 0800 657 336 or  
visit [www.rheem.co.nz](http://www.rheem.co.nz)

# CONTENTS

Types of Water Heating	6
Why Choose Rheem	7
Hot Water Safety	7
Mains Pressure Cylinders	8
Low Pressure Cylinders	11
Gas Water Heating	12
Heat Pump Water Heating	15
Solar Water Heating	16
Pool & Spa Water Heating	17
Boiling Water	18
Specifications	22
Warranties	31



# The brand you can trust

Hot water is one of life's true luxuries and at Rheem we pride ourselves on producing reliable quality products backed by the best in customer service.

Rheem are proud to bring you this easy to read reference guide which details not only the best water heating products on offer but also key information about hot water, its uses, volumes, heating and energy alternatives.

This reference guide will help you understand hot water heating options so you can choose the most suitable hot water solution for your needs.

For more information please visit our website [www.rheem.co.nz](http://www.rheem.co.nz) or call our Customer Service specialists on 0800 657 336.



Install a Rheem®

# TYPES OF WATER HEATING

There are many energy sources but only two types of water heaters.

These include electricity, gas (ULPG or Natural) and renewable energy sources such as the sun, wind, wood and even pellet type fuel sources. What's more you can combine energy sources for incredibly efficient and sustainable water heating solutions.

Water heaters fit into two categories – storage and continuous flow. There are many ways to heat your water and here at Rheem we are dedicated to bringing you the right solution for the needs of your home and family.

## Storage Water Heaters

These are the well known upright cylinders in our homes which are generally heated by electricity or gas. Suitable for mains pressure or low pressure.

### Mains Pressure Storage

Mains Pressure systems deliver full flow and allow for a wider range of modern fittings. Tank or bore water can also be pumped to mains pressure. If you are living in a residential area you will almost certainly have mains pressure available at your gate. Refer to page 7 for further information.

### Low Pressure Storage

Low Pressure water heaters are a common sight in older homes and while they are typically electric, some gas systems do exist. Rheem has a large range of low pressure copper and vitreous enamel (VE) lined cylinders. The VE cylinders can provide more pressure and copes better with a wider range of problematic water types such as high chlorination. Refer to page 10 for further information.

### Heat Pump

Heat pumps are the most advanced and efficient water heating option currently available. Heat is extracted from the surrounding air and converted into energy which is then used to heat the stored water. Refer to page 14 for further information.

### Gas Continuous Flow

Working differently from traditional storage water heaters, gas continuous flow water heaters only heat water on demand rather than heating and storing water until needed. Appliances are compact and an excellent choice where space is at a premium. They are ideal for homes with high peak loads or when hot water is required occasionally such as at a holiday home.

Available in either ULPG (bottled) or Natural Gas, Rheem gas continuous flow models have the option of remote temperature controllers for added convenience and safety. Refer to page 11 for further information.



### Solar

Solar captures free energy from the sun using roof-mounted panels (collectors), this energy is then transferred to a storage cylinder. This can be paired with electric, gas storage or gas continuous flow for a reliable and energy efficient hot water system. Refer to page 15 for further information.

# WHY CHOOSE RHEEM?

Rheem has been a trusted name in New Zealand since the company was formed in 1958.

Rheem started with gas fired mains pressure water heaters and low pressure electric cylinders moving through to mains pressure electric in 1973. Even in the early days, Rheem was at the leading edge of hot water heating technology quickly expanding its range to offer the best products for domestic and commercial water heating needs.

Remember the old wall mounted Zip that would whistle when the water was boiled? Rheem continues to evolve its technology and has created a range of super smart Lazer® boiling water appliances as well as the Rheem 'On-Tap' instant boiling and chilled water dispensing tap – a first for New Zealand manufacturing.

Rheem New Zealand is part of a trusted global family of brands. Its highly skilled and committed Research and Development team right here in New Zealand continues to improve water heating technology for future generations to benefit from.



## HOT WATER SAFETY

Abundant hot water is a lovely thing, however, almost 40% of New Zealand homes have hot water that's dangerously hot and nearly 10% have water so hot that burns are inevitable. (BRANZ Research)

A safe bath temperature for young children is between 37–38°C.\*

New Zealand Building Code compliance law requires hot water to be stored at 60°C or higher to eliminate the risk of Legionella bacteria growth.

A tempering valve installed is the acceptable solution to provide safe hot water to your showers, hand basins and bath. This valve mixes in cold water to provide safer water temperature at the outlet for personal hygiene. Laundry and kitchens do not require tempering.



At 70°C the skin is burned instantly

Water at 60°C will cause bad burns within one second

At 54°C it takes ten seconds to burn

38°C is a safe bathing temperature

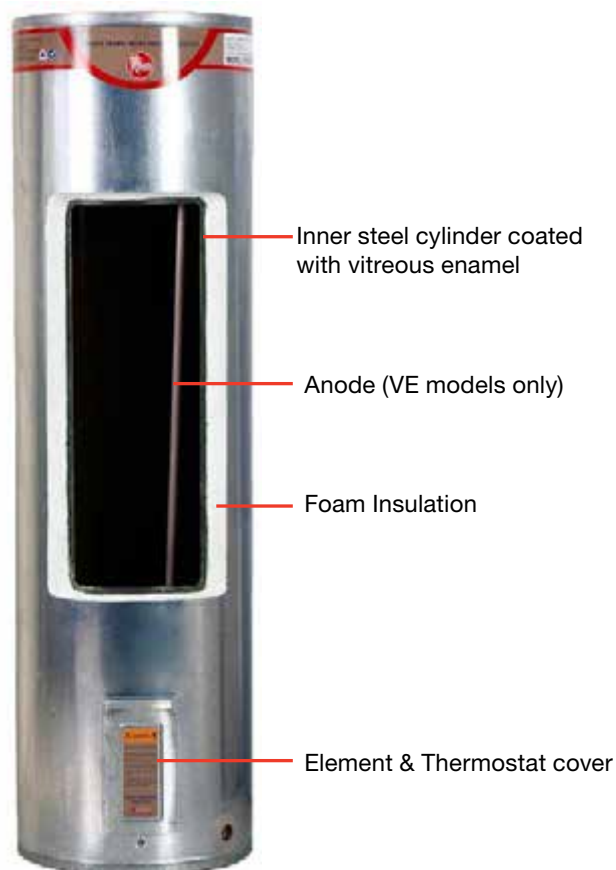
\*Source: [www.safekids.co.nz](http://www.safekids.co.nz)

# MAINS PRESSURE CYLINDERS

Vitreous enamel (VE), is a long established and trusted finish for metal. It is entirely inorganic and the enamel coating is fused (i.e. not coated) to the metal substrate of the water heater at temperatures in excess of 900°C. This provides a durable, impervious, hygienic and hard finish to prevent rusting and corrosion.

Rheem Vitreous Enamel water heaters provide the best corrosion resistance to a wide range of water conditions including varying pH levels, high chlorides, hard water and MIC (Microbiological Induced Corrosion) as found in parts of the country and areas with untreated bore water.

Vitreous Enamel technology is tried and true and has been dated back to the ancient Egyptians. In New Zealand, Rheem continues to develop its VE technology and has introduced higher resistant enamels and steel manufacturing techniques to produce a world class range of water heaters.



## Vitreous Enamel (VE)

Mains Pressure

Large range of sizes

Twin & dual element models

Can deliver up to 40 litres of hot water per minute

Suitable for a wide range of water conditions

All VE water heaters are fitted with a sacrificial magnesium anode to provide additional corrosion protection to the cylinder in adverse water conditions

1-7 people

25-300L

Indoor installation

**Refer to page 21 for specifications**



# Vitreous Enamel provides superior durability in all water conditions.



## Purpose built for the outdoors

The Rheem Optima is a mains pressure electric storage cylinder that is a family favourite. Suitable for indoor or outdoor installation and available in capacities from 180 to 400 litres.

The 300 and 400 litre models feature twin heating elements to offer night rates\*. Only one element will come on at any one time. This is known as a non-simultaneous system. When the tank is full of cold water the upper element will take priority heating the top portion of the water. Once the desired temperature is reached the upper thermostat flips the power to the lower thermostat and element to heat the lower portion of the tank.

## Optima Vitreous Enamel (VE)

Mains Pressure

Colour-bond jacket

Twin element models (300L and 400L)

All VE water heaters are fitted with a sacrificial magnesium anode to provide additional corrosion protection to the cylinder in adverse water conditions

2-7 people

180-400L

Indoor/Outdoor installation

Refer to page 21 for specifications



excludes 400L



### \*Night rates

You may be able to switch to a night rate electricity tariff which could halve your hot water bill. It's not available in all areas of the country though - check with your electricity supplier first.

# MAINS PRESSURE STAINLESS STEEL

As older low pressure systems need replacing, the trend is to replace these with mains pressure.

With up to 40 litres per minute flow rate you can have multiple showers and taps running while maintaining a stable shower temperature.

Our stainless steel mains pressure water heaters are generally heated with electricity and most models are also heat pump and solar compatible.

Available in various sizes from 135 to 300 litres.

## Stainless Steel

Heat pump and solar compatible (excludes 135L model)

Suitable for a wide range of water conditions

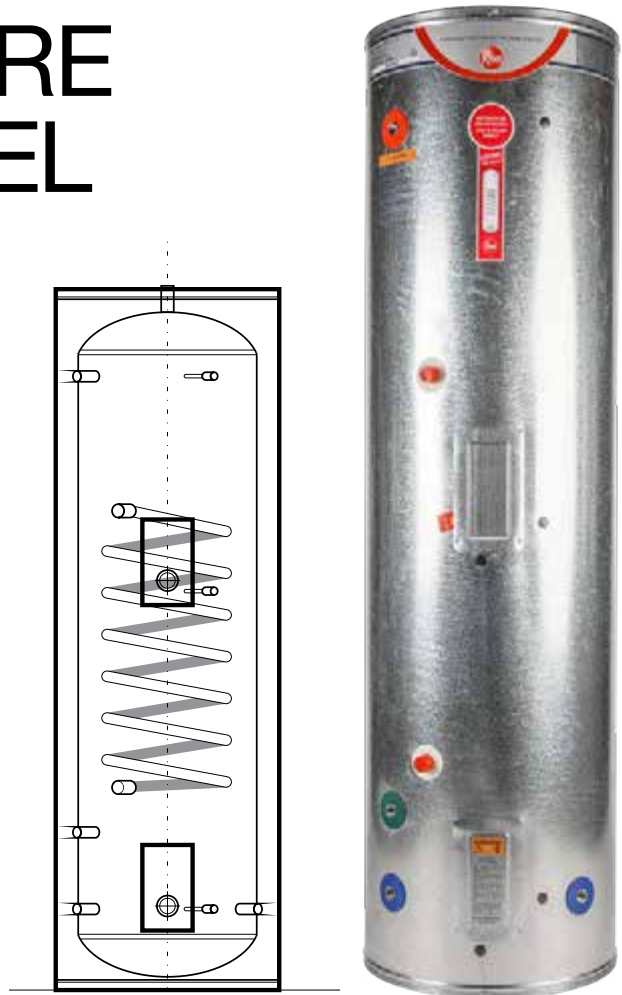
Colour-bond jacket

Incoloy element (top element kit-set available as spare part for 180, 250 and 300L models)

TPR valve setting: 135 & 180L = 1000 kPa, 250 & 300L = 850kPa

1-7 people	135-300L	Indoor/outdoor installation
------------	----------	-----------------------------

Refer to page 22 for specifications



The tried and tested coil heat exchanger system provides an opportunity to future proof your hot water supply. It can be connected to either solar, wetback or heat pump or a combination of these sources.

Each unit comes with a lower element installed and an upper element can also be added to act as a back-up or booster.

## Stainless Steel Coil

Mains Pressure

Designed and engineered in New Zealand

Single or dual coil options

Versatile and economical

Heat pump, solar or wetback compatible

2-7 people	250 & 300L	Indoor installation
------------	------------	---------------------

Refer to page 22 for specifications

# LOW PRESSURE

Low Pressure cylinders were the only option available in New Zealand until the 70's. There are three ways you can identify these water heaters; a copper pipe which protrudes through the roof venting to the atmosphere, a large pressure reducing valve on the inlet or a header tank in the ceiling space.

They are still popular today and a good choice for like-for-like replacement. Rheem also offer low pressure vitreous enamel models which can operate at higher pressure (120kPa) and are ideal for pumped systems and areas where water quality is poor.



## Low Pressure Copper

Choice of 3 inlets (90-180L only)

Tall, medium, short size options

Wetback models available from 135L

1-6 people

15-300L

Indoor installation

Refer to page 23-24 for specifications



## Low Pressure Vitreous Enamel (VE)

Proven & tested Vitreous Enamel Technology

Built to suit a wide range of water conditions

Designed to operate as Low Pressure Heavy Head - 120 kPa

Triple inlet as standard

1-7 people

90-270L

Indoor installation

Refer to page 23 for specifications



# GAS CONTINUOUS FLOW

Rheem are world leaders when it comes to manufacturing continuous flow gas water heaters. World class Japanese built gas water heaters are sold to multiple countries on a global scale including the USA and Rheem is proud to offer these in New Zealand.

Working differently from traditional storage water heaters, continuous flow water heaters only heat water on demand rather than heating and storing water until needed. Appliances can be conveniently mounted to, or recessed into, your exterior wall, taking up less space. They are ideal for homes with high peak loads or when hot water is required occasionally such as at a holiday home.

Either connected to Natural Gas or to ULPG storage bottles, the water temperature is pre-set on the appliance or is adjustable with optional remote temperature controllers installed indoors.

In homes where there is a high demand for water, or in colder areas where ambient water temperature is low, two appliances can be linked together using the Rheem EZ Link® system to supply twice the flow.



## Gas Continuous Flow

Flamesafe overheat protection system

6 star energy rating

Digital display for easy fault diagnosis and service

Frost protection

Can link two units for increased supply with EZ Link®

Indoor and outdoor models

Control your water temperature with remote controllers

16L–27L per minute

Natural Gas or ULPG

Refer to page 25 for specifications

*Go with  
the Flow®*

# How Continuous Flow works

The water heater operates automatically, heating the water as it passes through the appliance. When a hot tap is opened, the gas burners ignite to provide immediate heating of the water. The heat produced by the burner is transferred to the water through the heat exchanger. The gas burners extinguish when the hot tap is closed.



## Outdoor - Rheem 16

1–1.5 Bathrooms  
1–3 people

An ideal solution for compact home sites, baches, cribs or apartments.



## Outdoor - Rheem 20

1.5–2 Bathrooms  
2–4 people

Medium capacity model ideal for small to medium sized homes and apartments.



## Outdoor - Rheem 26

2–3 Bathrooms  
4–6 people

A popular model in more temperate areas, with the capacity to suit most homes.



## Outdoor - Rheem 27

2.5–3 Bathrooms  
4–6 people

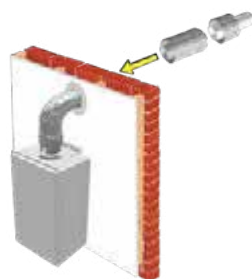
Our most popular capacity, ideal for larger families with limited space and high demands for hot water.



## Indoor - Rheem 27

2.5–3 Bathrooms,  
4–6 people

The only Rheem indoor continuous flow model (must be flued to the outside of the building).



## Flue Kit

The Indoor model must be installed using a certified Rheem flue system. Always check with local authorities that the installation complies with all regulations applicable in your area.



## Recess Box

Comes with door and mounting brackets for recessing into exterior walls.



## Pipe Cover

Designed to cover pipework and valves.



## EZ Link® Kit

Links two units together and provides staged heating to reduce wear and energy use. Kit contains 1.8m cable and fittings.

# GAS STORAGE

Rheem Stellar can only be described as the “King” of gas water heaters. New Zealand’s most efficient domestic gas storage water heater is designed for a long life outdoor installation.

The balanced super-flue design pulls the gas heated hot air through the unit twice to maximise efficiency. The exhaust temperature exits at a very safe temperature through a very modern stylish exterior flue that looks the part.

The Stellar delivers hot water at up to 40 litres per minute, ideal for the modern home with high delivery tapware, massage showers and multiple bathrooms. If your home uses reticulated natural gas for heating and cooking, then it makes sense to heat your water with gas.



## Stellar Outdoor Gas Storage

No electricity required

Suitable for all water pressures

Most efficient domestic gas storage water heater

Advanced SuperFlue Technology

Natural Gas only

2-6 people	130 & 160L	Outdoor installation
------------	------------	----------------------

Refer to page 24 for specifications

Mains Pressure gas storage water heaters deliver hot water instantly by keeping a generous quantity stored hot and ready for your use.



## Indoor Gas Storage

Mains Pressure

No electricity required

Advanced SuperFlue Technology

Natural Gas only

2-6 people	130 & 160L	Indoor installation
------------	------------	---------------------

Refer to page 24 for specifications

# HEAT PUMP

Rheem Heat Pump water heaters are an energy efficient, affordable way to heat water. Heat Pumps use the heat from the surrounding air to heat your water and help reduce your water heating energy consumption compared to an electric water heater. They work all year round, day or night, in sunshine or rain and even on cooler days, as there is always heat in the atmosphere which can be used.

Heat pumps deliver similar benefits to solar without the need to install roof mounted solar panels. Environmentally friendly heat pumps are the future of water heating and are available now.



## HDc-270 Ambiheat Heat Pump

Advanced wrap around microchannel heating technology for uniform and faster water heating

Suitable for cold climates (-5°C to 43°C)

Suitable for harsh water conditions

High recovery rate for fast heating and 2.4kW back-up element for emergency heating

Leading technology with user-friendly touch screen LED display

Variable temp control

2-5 people	270L	Outdoor installation
------------	------	----------------------

Refer to page 29 for specifications

## MPi-325 Heat Pump

Mains Pressure

Whisper Technology for quieter operation

Reduces greenhouse gas emissions

Suitable for climate temperatures of 3°C to 45°C

The size of the cylinder allows the heat pump to run at a constant optimised rate topping up as water is drawn off

Back-Up element provides hot water regardless of the weather

Frost protected

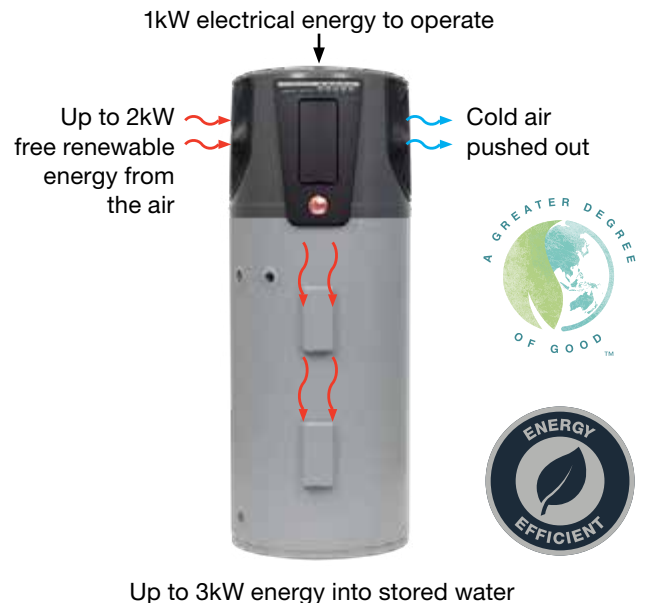
2-5 people	325L	Outdoor installation
------------	------	----------------------

Refer to page 29 for specifications

## How much could you save?

Monthly Power Bill	Electric Hot Water	Heat Pump Hot Water	Est. Annual Savings*
\$200	\$80	\$27	\$639
\$400	\$160	\$53	\$1,279
\$600	\$240	\$80	\$1,918
\$800	\$320	\$107	\$2,557
\$1,000	\$400	\$134	\$3,197

\*Based on annual average heat pump water heater efficiency of 300%. Estimated annual savings have been rounded to the nearest dollar. Based on 22 cents per kW/h and 24 hour continuous tariff. Prices may vary from region to region. For the most up to date pricing, check with your power company.



# PREMIER LOLINE SOLAR®

Free energy from the sun. Closed loop split solar is Rheem NZ's Solar Premier water heating system which is designed for top performance in our environment, even when it is frosty or water quality is poor.

The highly efficient CSA2007 collector, with a heat exchange cylinder, stores 270 litres of hot water. The closed system uses heat transfer fluid (glycol), similar to antifreeze used in car radiators, this protects the system from freezing or calcium formation due to poor water quality, freezing or stagnation. Sacrificial anodes in the vitreous enamel lined storage tank offers long term protection.

We advise that all solar water heating systems be backed up with an alternative heating system. Rheem Solar Premier has a built-in electrical boost as standard but there is the option to have a gas boost using a gas continuous flow unit. This is essential to ensure hot water availability on poor weather days (low solar gain) or when stored water temperature drops below 58°C.

Rheem also offers a range of solar ready storage tanks allowing you to future proof your home and/or allowing for solar conversion when you are ready to make the change.

## Premier Loline Solar®

Cut hot water heating costs by up to 70%

Drain Back protection

Electric boost as standard, gas boost is optional

Overheat protection built-in

Cylinder suitable for either indoor or outdoor installations

TPR valve setting: 1000 kPa

**Refer to page 28 for specifications**

See [www.niwa.co.nz](http://www.niwa.co.nz) for the sunshine hours in your area.





# POOL & SPA HEATING

## Raypak Residential Pool Heater Models 200-430

Raypak® Residential pool and spa heaters are capable of heating all sizes of pools and spas, extending your swimming time and enjoyment.

## Raypak Premium Pool Heater Models 280 & 430

Raypak® Premium pool & spa gas heaters are built to meet the toughest of operating conditions and environments as well as suitable for small to medium commercial installations.

## Raypak Spa Heater Model Spartan 131

The Spartan 131 spa heater is a purpose built spa heater. It is capable of heating almost any spa on demand.



## Pool Heater Models Residential 200, 280, 350 & 430 Premium 280 & 430

Cupro-nickel heat exchanger for greater protection against corrosion

Energy-saving 'hot surface ignition'

Remote control connection available as an option

• Suitable for either indoor or outdoor installations (Outdoor hood supplied standard with heater)

**Refer to page 29 for specifications**

## Spa Heater Model Spartan 131

Digital thermostat display

Integration capabilities with other pool and spa control equipment

Energy-saving 'hot surface ignition'

Remote control available as an option

Suitable for outdoor installations only

**Refer to page 29 for specifications**



# BOILING WATER

## On-Tap

### Delivering boiling water instantly and safely

Rheem On-Tap is on call when you need it and ideal for many homes and offices - so no more waiting for kettles to boil and wasting bench space.

### Flexibility and Style

Rheem On-Tap features separate boiler and chiller units allowing greater flexibility when installed in under-bench spaces which would not normally be possible with some other systems. A sink-free kit allows you to install your On-Tap without the need for a sink.

### Energy Efficient

The 7 day programmable timer means that you can have filtered boiling or chilled water when you want it and save energy when you don't. The ability to set your boiling water between 70–99°C plus a selectable timer for sleep mode can reduce energy consumption by up to 40% over a normal week.

### Safety

Implementing the safety lock for two-finger operation provides extra safety for children and those most at risk. The no splash, drip free tap ensures safety at every step of operation.

### Filtered

The superior 5 micron filter reduces chlorine taste and odour as well as lime-scale build-up. A filter light indicates when the filter is due to be changed and the simple filter system makes filter changes a breeze.



## Optional Chiller

A separate chiller can be added to provide filtered chilled water from the same tap.



# On-Tap Plus

## All your water supplied from under the bench

The combination of On-Tap with its matching mixer provides a superior all-in-one underbench solution for your new or existing work or kitchen space.

With the convenience of drawing all your boiling, chilled and mixed water from the compact underbench appliances, this range is easy to install and avoids the costs associated with connecting to your existing hot water system.



On-Tap Plus with its matching mixer tap is your all-in-one underbench water solution.

Typical installation with chiller (sold separately)

## On-Tap



Available in two stylish tap designs

Sink-free options available

24/7 timer, sleep mode and adjustable delivery temperature for saving energy

Hands-free filling

Safety lock feature

Superior 5 micron filter

Up to 20L boiling water p/hr

Sink or sink-free installation

**Refer to page 26 for specifications**

## On-Tap (tap plus mixer)



Works independently from your existing hot water system - cold water supply only required

Available in two designs with matching mixer tap

Hands-free filling

Safety lock feature

Energy saving - sleep mode and adjustable delivery temperature

Up to 20L boiling water p/hr

Sink installation

**Refer to page 26 for specifications**

# LAZER® BOILING WATER

## Energy efficient

The Lazer® Office and Commercial appliances feature a seven-day programmable timer and a selectable sleep mode which will turn the unit off if it has not been used for a set period of time. The Lazer® Eco features an 'Eco Mode' which turns the unit off 2 hours after use to reduce unnecessary power consumption.

## Safety first

Lazer® Eco and Commercial models feature the option of the Rheem Safety Tap. Retro-fitted to any Lazer® Eco or Commercial unit, the safety tap prevents accidental dispensing with its 3-step action. The Lazer® Office unit has an integrated tap with push button activation. All Lazer® units have been designed with automatic safety devices to safeguard the unit from boiling dry.

## Installation

The mounting bracket is easily mounted on the wall above your sink or benchtop. This allows for quick installation and easy removal when service or maintenance is required. Mounting brackets come standard with the Lazer® Office range and is an optional extra for the Lazer® Eco 3L and 5L units.

## Filter

All Rheem Lazer® models can be connected with a remote filter kit for clean, crisp water delivery. Both the Lazer® Office and Lazer® Commercial appliances will alert via the display when the filter needs replacing.



**Lazer® Eco**  
Energy Saving

## Lazer® Eco



Available in 3, 5 and 7.5L capacities

Eco Mode button control

Indicator light changes colour, so you know at a glance when it's heating or in Eco Mode

Optional safety tap available

Easy to clean white powder coat finish

Max 185 cups\* per hour

3L-7.5L

Wall mounted

**Refer to page 27 for specifications**

\*Cup size 170ml

## Lazer® Office



Available in 3 and 5 litre capacities

Delivers up to a maximum of 170 cups\* of boiling water per/hr

Available in powder coat white or brushed stainless steel

Integrated tap

Easy clean

Mounting bracket supplied

Max 170 cups* per hour	3L & 5L	Wall mounted
------------------------	---------	--------------

**Refer to page 27 for specifications**

\*Cup size 170ml



Lazer® Office  
Stylish & Efficient



Lazer® Commercial  
High Capacity

## Lazer® Commercial



Delivers a maximum of 512 cups\* per hour (depending on model)

Fast flow tap

Available in powder coat white or brushed stainless steel

Easy clean

Large range of capacities available

Safety Tap (optional)

Max 512 cups* per hour	7.5–40L	Wall mounted
------------------------	---------	--------------

**Refer to page 27 for specifications**

\*Cup size 170ml

## Zip – a Kiwi classic

### Rheem Zip®



Sight glass to view water level

Manual fill and boil operation

Optional safety tap available

An economical option when hot water is required infrequently

4.5L – 34L	Wall mounted
------------	--------------

**Refer to page 27 for specifications**

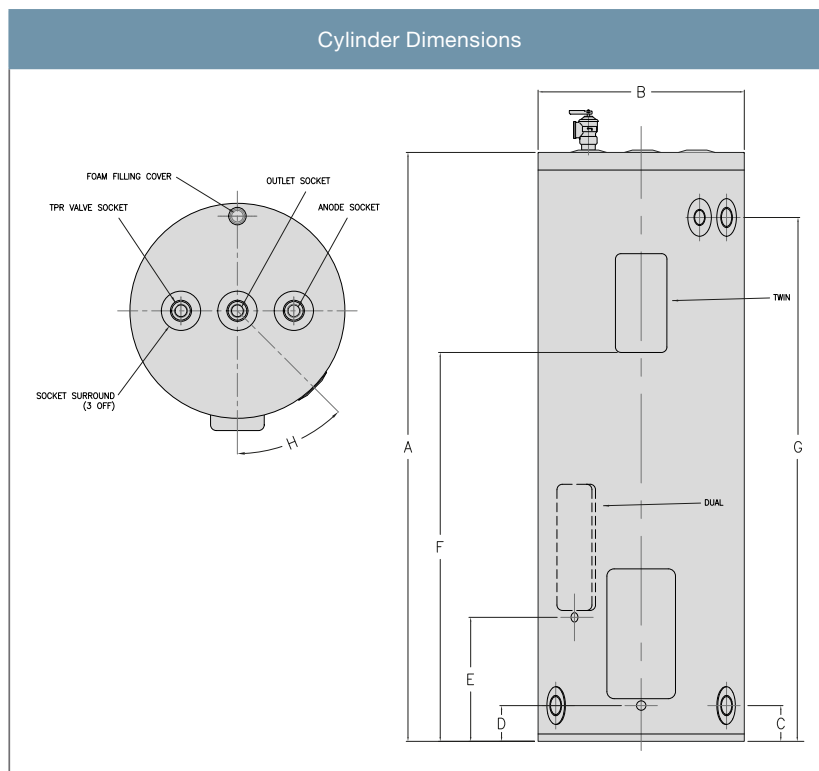


# SPECIFICATIONS

## MAINS PRESSURE – VITREOUS ENAMEL (VE)

Product		Models											
Single Element Indoor		31202519V	31204515	31209015	31213513	32213515	31218013		32218015	31225015	31230015		
			31204513	31209013	31213515	32213513	31218015		32218013				
Twin Element (non-simultaneous) Indoor							31218025			31225025			
Dual Element (simultaneous) Indoor											31230033		31230055
Optima Outdoor/Indoor								91318015					
Optima Twin Element (non-simultaneous) Outdoor/Indoor												91330025	492400G8
Approx. Storage Capacity	Litres	25	45	90	135	135	180	180	180	250	300	300	400
Boost Capacity (Twin Element)	Litres	-	-	-	-	-	45*	-	-	50**	50	47	90
Height	A (mm)	398	525	925	1325	935	1710	1720	1165	1555	1815	1820	1840
Width	B (mm)	400	490	490	490	580	490	490	580	580	580	580	690
	C (mm)	116	120	120	120	120	120	120	120	120	120	120	120
	D (mm)	32	65	65	65	65	65	-	65	65	65	-	105
	E (mm)	-	-	-	-	-	-	-	-	-	162	-	-
	F (mm)	-	-	-	-	-	1182*	-	-	1126**	-	1298	1323
	G (mm)	246	-	-	-	-	-	1546	-	-	-	1636	1479
	H (°)	45	45	45	45	45	45	36	45	45	45	36	97
Approx Weight Empty	Kg	15	26	38	49	54	60-62	64	64	80-82	91	97	113
TPR Valve Setting	kPa	1000	1000	1000	1000	1000	1000	1000	1000	1000	1000	1000	1000
Water Connections		RP ¾ /20	RP ¾ /20	RP ¾ /20	RP ¾ /20	RP ¾ /20	RP ¾ /20	RP ¾ /20	RP ¾ /20	RP ¾ /20	RP ¾ /20	RP ¾ /20	RP ¾ /20
Element Rating (@230V)	kW	2.0	2.0 or 3.0	2.0 or 3.0	2.0 or 3.0	2.0 or 3.0	2.0 or 3.0	3.0	2.0 or 3.0	3.0	3.0 or 5.0	3.0	4.8*

\*31218025 only \*\*31225025 only ^ @ 240V



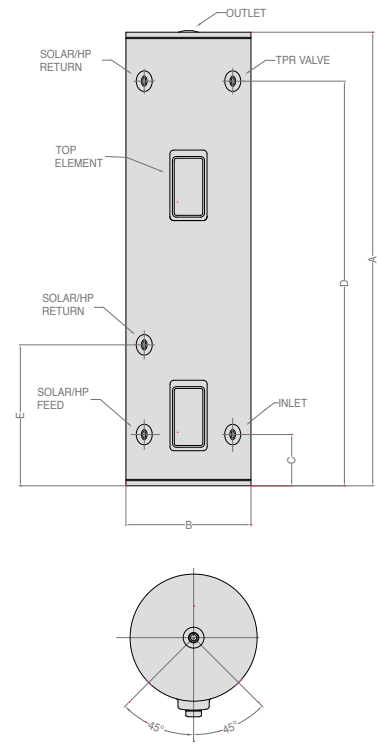
- Inlet/Outlet and tpr valve are side mounted on left-hand side of 31202519V.
- Inlet/outlet and TPR valve are side mounted on right-hand side of 91318015 and 91330025.

Specifications Electric (@230V)		
kW	Recovery on a 50°C rise	AMPS
2.0 kW	34 litres per hr	8.7 A
2.4 kW	40 litres per hr	10.4 A
3.0 kW	51 litres per hr	13.1 A
3.6 kW	62 litres per hr	15.7 A
4.8 kW	82 litres per hr	21.0 A
5.0 kW	85 litres per hr	21.8 A
6.0 kW	103 litres per hr	26.1 A
2 × 3.0 kW	103 litres per hr	26.2 A
2 × 5.0 kW	171 litres per hr	43.6 A



# MAINS PRESSURE – STAINLESS STEEL

Rheem Stainless Steel Mains Pressure Electric*					
	Screw-in	32513513 32513515	32518013 32518015	32525015	32530015
Approx. Storage Capacity	Litres	135	180	250	300
Weight Empty	Kg	30	37.5	41	48
Inlet/Outlet Connections				RP 3/4" / 20	
Solar/HP Feed Connection		-		RP 3/4" / 20	
Solar/HP Return Connection		-		RP 3/4" / 20	
TPR Valve Connection				RP 1/2" / 15	
TPR Valve Setting	kPa	1000	1000	850	850
Dimensions:	mm				
A		1350	1770	1620	1910
B		490	490	580	580
C		195	200	205	205
D		1170	1575	1395	1690
E		-	550	605	605
Element Rating	kW	2.0 or 3.0	2.0 or 3.0	3.0	3.0
Top Element Rating (kit-set)	kW	-	2.0	3.0	3.0
Boost Capacity (Twin Element)	Litres	-	60	110	135



# MAINS PRESSURE – STAINLESS STEEL COIL

Description	Connection	Lower Coil		Mid Coil		Dual Coil		
		L = Left R = Right	35625015LL 35625015LR	35630015LL 35630015LR	35625015ML 35625015MR	35630015ML 35630015MR	35625015DL	35630015DL
Approx. Storage Capacity			250L	300L	250L	300L	250L	300L
Cylinder Diameter (mm)			560	560	560	560	560	560
Cylinder Height (mm)			1725	2045	1725	2045	1725	2045
A Hot Water Draw-Off	3/4" BSP F		1725*	2045*	1725*	2045*	1725*	2045*
B Right/Left Cold Feed (High Pressure) Inlet	3/4" BSP F		200*	200*	200*	200*	200*	200*
C Left/Right Cold Feed (High Pressure)	3/4" BSP F		200*	200*	200*	200*	-	-
D Safety TPR	3/4" BSP F		1500*	1810*	1500*	1810*	1500*	1810*
E From Solar (Inlet)/Heat Pump Return Kit set	3/4" BSP F		370*	370*	370*	370*	370*	370*
F To Solar/Heat Pump (Direct Outlet)	3/4" BSP F		200*	200*	200*	200*	370*	370*
G Secondary Solar/Wetback Flow (Coil)	3/4" BSP F & 1" BSP M		685*	685*	1285*	1285*	1340*	1340*
H Secondary Solar/Wetback Return (Coil)	3/4" BSP F & 1" BSP M		245*	245*	485*	485*	540*	540*
J Lower Element (3kW)	1 1/4" BSP F		-	-	-	-	-	-
K Upper Element*** (3kW)	1 1/4" BSP F		-	-	-	-	-	-
L Sensor Probe Pocket	Ø8.5mm x 120mm Tube		-	-	-	-	-	-
M1 Coil*			10m	10m	10m	10m	10m	10m
M2 Coil*			-	-	-	-	7.6m	7.6m

F = Female M = Male \*Fitting heights measured from bottom of cylinder (mm).

All measurements are nominal.

\*\*Compressed solar coils require a pumped base system.

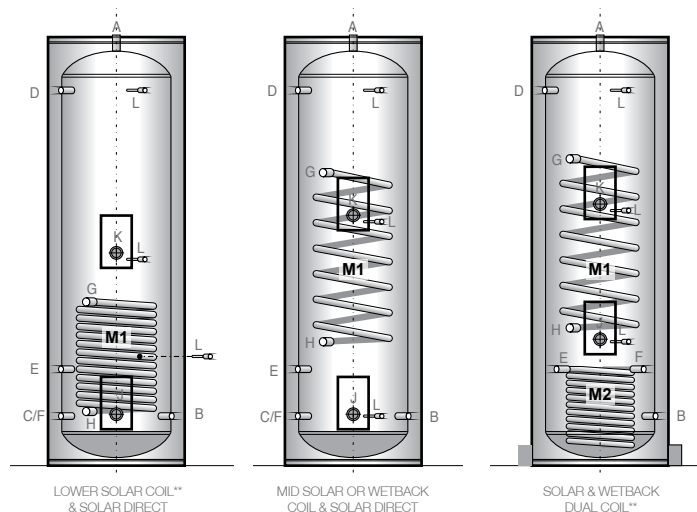
\*\*\*Upper element supplied plugged. Element and thermostat kit sold as optional extra (part 417026).

All cylinders supplied with 46kW TPR Valve 850kPa.

^Incoming heat source of 80°C

= nominal 25kW for M1 Coil

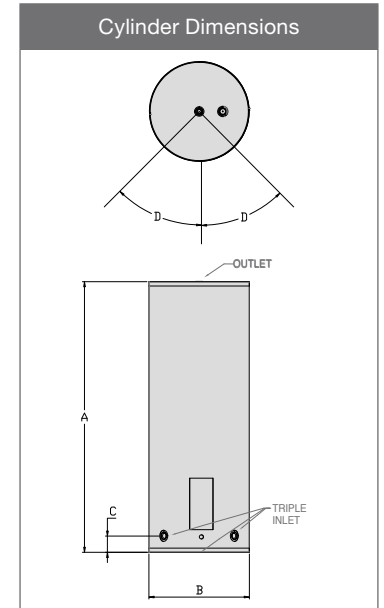
= nominal 20kW for M2 Coil



## LOW PRESSURE – VITREOUS ENAMEL (VE)

Models		148 090 **T	148 135 **T	158 135 **T	148 180 **T	158 180 **T	158 270 15T
Approx. Storage Capacity (L)		90	135	135	180	180	270
Height	A (mm)	915	1315	880	1710	1135	1640
Width	B (mm)	490	490	580	490	580	580
	C (mm)	120	120	120	120	120	120
	D (°)	45	45	36	45	36	36
Approx weight Empty (Kg)		29	39	40	51	53	85
TPR Valve Settings (kPa)		120	120	120	120	120	120
Element Rating (@230v) (kW)		2.0 or 3.0	2.0 or 3.0	2.0 or 3.0	2.0 or 3.0	2.0 or 3.0	3.0

\*\*Add to end of product code: 13T for 2kW; or 15T for 3kW



## LOW PRESSURE – COPPER

Model	Cap. (L)	w x h (mm)	ELM. (kW)	Inlet
-------	----------	------------	-----------	-------

### LP DOMESTIC INDOOR ELECTRIC STORAGE (COPPER)

149 040 13	40	460 x 490	2	Bottom
14T 090 13	90	510 x 785	2	Triple
14T 110 13	110	510 x 950	2	Triple
12T 135 13	135	610 x 800	2	Triple
14T 135 13	135	560 x 955	2	Triple
16T 135 13	135	510 x 1140	2	Triple
18T 135 13	135	460 x 1465	2	Triple
54T 135 13	135	540 x 1030	2	Triple
12T 180 13	180	610 x 1020	2	Triple
12T 180 15	180	610 x 1020	3	Triple
14T 180 13	180	560 x 1220	2	Triple
14T 180 15	180	560 x 1220	3	Triple
54T 180 13	180	540 x 1355	2	Triple
54T 180 15	180	540 x 1355	3	Triple
16T 180 13	180	510 x 1510	2	Triple
16T 180 15	180	510 x 1510	3	Triple
149 225 15	225	610 x 1250	3	Bottom
169 225 15	225	560 x 1510	3	Bottom
149 270 15	270	610 x 1470	3	Bottom
149 270 25	270	610 x 1470	2 x 3	Twin element (simultaneous)
169 270 15	270	560 x 1800	3	Bottom
169 270 25	270	560 x 1800	2 x 3	Twin element (simultaneous)
149 350 25	350	655 x 1595	2 x 3	Twin element (simultaneous)

### LP DOMESTIC INDOOR ELECTRIC STORAGE (COPPER) UNDERBENCH

199 015 13	15	365 x 370H	2	Top Inlet & Outlet
199 025 13	25	365 x 525H	2	Top Inlet & Outlet
199 040 13	40	460 x 490H	2	Top Inlet & Outlet

Model	Cap. (L)	w x h (mm)	ELM. (kW)	Inlet
-------	----------	------------	-----------	-------

### LP HEAVY HEAD

146 180 15	180	560 x 1220H	3	
166 180 15	180	510 x 1510H	3	

### LP TANK UNITS

T49 135 13	135	560 x 1260H	2	
T49 180 15	180	560 x 1530H	3	

### LP DAIRY

109 250 1G	250	760 x 1235H	3/3	
109 350 1G	350	760 x 1530H	3/3	
109 450 1G	450	760 x 1835H	3/3	
109 600 1G	600	840 x 1885H	3/3	



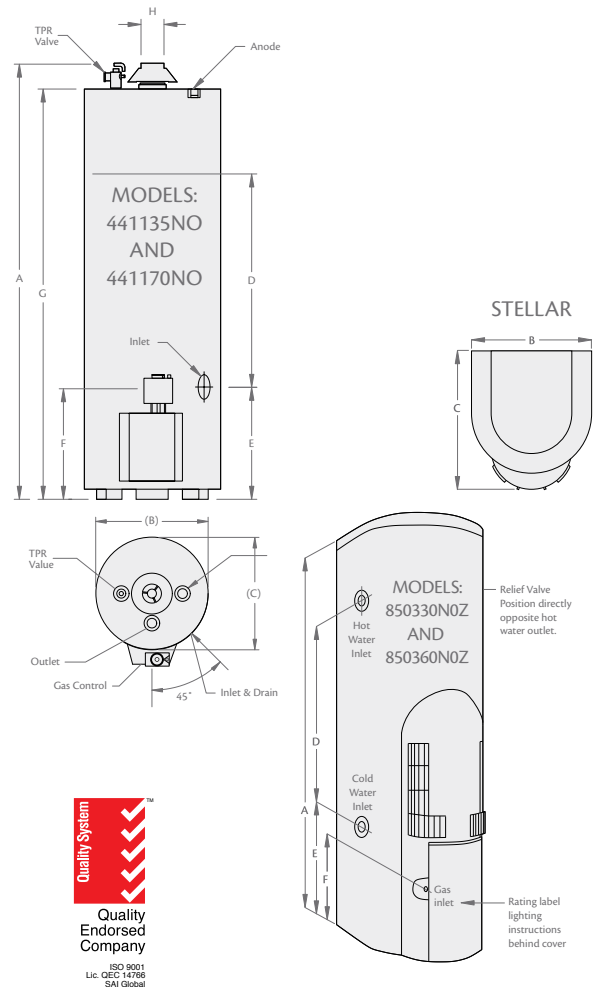
# LOW PRESSURE – COPPER WETBACK

Model	Approx. Storage Capacity	Dimensions w x h (mm)	Element Rating (kW)	Connection
145 135 13	135L	560 × 955H	2	BCRL
165 135 13	135L	510 × 1140H	2	BCRL
185 135 13	135L	460 × 1465H	2	BCRL
125 180 15	180L	610 × 1020H	3	BCRL
143 180 15	180L	560 × 1220H	3	RHSC
144 180 15	180L	560 × 1220H	3	LHSC
145 180 15	180L	560 × 1220H	3	BCRL
545 180 13	180L	540 × 1355H	2	BCRL
545 180 15	180L	540 × 1355H	3	BCRL
165 180 15	180L	510 × 1510H	3	BCRL
145 225 15	225L	610 × 1250H	3	BCRL
165 225 15	225L	560 × 1520H	3	BCRL
145 270 15	270L	610 × 1465H	3	BCRL
165 270 15	270L	560 × 1800H	3	BCRL

# GAS STORAGE

Product		Outdoor Models		Indoor Models	
		850330N0Z	850360N0Z	441135NO	441170NO
Rheem Gas Storage				441135NO	441170NO
Stellar Gas Storage		850330N0Z	850360N0Z		
Approx. Storage Capacity	Litres	130	160	130	160
Recovery @ 45°C (Natural Gas)	Litres	200	200	110	126
**First Hour Capacity (Natural Gas)	Litres	330	360	240	286
Hourly Gas Consumption (Natural Gas)	MJ	42	42	29	33
kW Output	kW	10.5	10.5	5.8	6.6
Height	A (mm)	1600	1900	1555	1855
Width	B (mm)	485	485	430	430
Depth	C (mm)	558	558	515	515
	D (mm)	988	1213	N/A - Outlet on Top	N/A - Outlet on Top
	E (mm)	328	409	332	407
	F (mm)	298	298	300	300
	G (mm)	-	-	1475	1775
	H (mm)	-	-	75	75
Approx Weight Empty	Kg	70	80	50	69
TPR Valve Setting	kPa	1400	1400	1000	1000
Water Connections (LHS)		RP 3/4 /20	RP 3/4 /20	RP 3/4 /20	RP 3/4 /20
Gas Connection		RP 1/2 /15	RP 1/2 /15	RP 1/2 /15	RP 1/2 /15

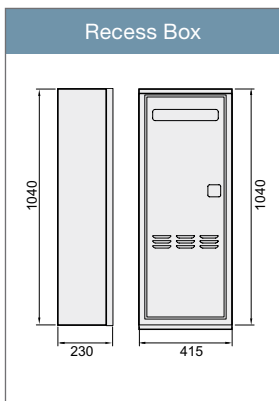
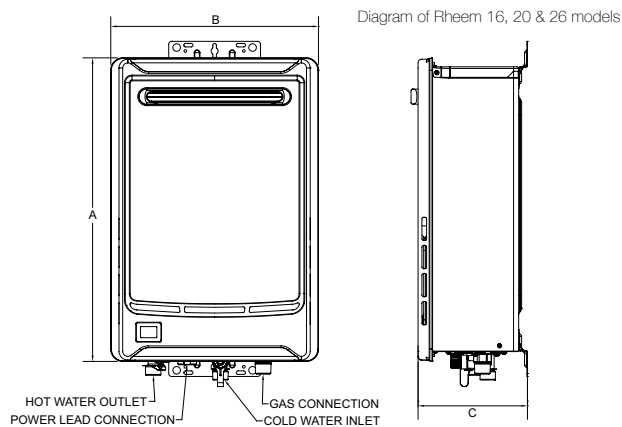
\*\*First hour capacity is a method of comparing the capabilities of different gas water heaters. Please contact Rheem for actual hot water delivery for specific applications.



# GAS CONTINUOUS FLOW

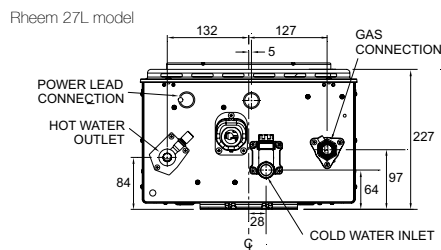
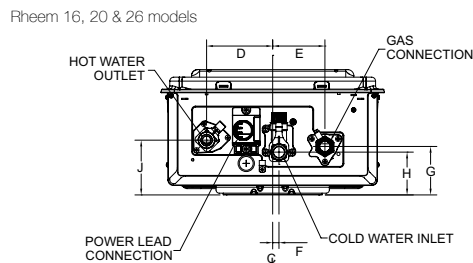
	Rheem 16	Rheem 20	Rheem 26	Rheem 27	Indoor 27*
Model Number	874816NFZ/LFZ	874820NFZ/LFZ	874826NFZ/LFZ	874627NFZ/LPZ	864627NFZ/LPZ
Nominal L/Min @25°C Rise	16L/Min	20L/Min	26L/Min	27L/Min	27L/Min
Gas Input Max	126 MJ/hr	157 MJ/hr	199 MJ/hr	205 MJ/hr	205 MJ/hr
Gas Type	NG or ULPG	NG or ULPG	NG or ULPG	NG or ULPG	NG or ULPG
Gas Connection	R ¾ / 20	R ¾ / 20	R ¾ / 20	R ¾ / 20	R ¾ / 20
Min Gas Supply Pressure NG/ULPG	1.13 kPa/ 2.75 kPa	1.13 kPa/ 2.75 kPa	1.13 kPa/ 2.75 kPa	1.13 kPa/ 2.75 kPa	1.13 kPa/ 2.75 kPa
Water Pressure (kPa) Min-Max	120-1000	120-1000	120-1000	140-1000	140 - 1000
Minimum Flow Rate	2.0L/Min	2.0L/Min	2.0L/Min	2.0 L/Min	2.0 L/Min
Cold Water Connection	R ¾ / 20	R ¾ / 20	R ¾ / 20	R ¾ / 20	R ¾ / 20
Hot Water Connection	R ¾ / 20	R ¾ / 20	R ¾ / 20	R ¾ / 20	R ¾ / 20
Approx. Weight (empty)	16kg	16kg	16kg	23kg	24kg
Freeze Protection	Yes	Yes	Yes	Yes	Yes
A Unit Height (mm)	520	520	520	601	650
B Unit Width (mm)	355	355	355	351	351
C Unit Depth (mm)	187	187	187	226	240
D Hot Water Outlet (mm)	105	105	105	132	132
E Gas Inlet (mm)	83	83	83	127	127
F Cold Inlet (mm)	10	10	10	28	28
G Gas Inlet (mm)	77	77	77	97	119
H Cold Inlet (mm)	68	68	68	64	86
J Hot Water Outlet (mm)	87	87	87	84	107
Gas Energy Rating	6 Stars	6 Stars	6 Stars	6 Stars	6 Stars

Continuous Flow Accessories	Part Number
Horizontal Flue Kit Side Exit	318278
Horizontal Flue Kit Rear Exit	318279
Vertical Flue Kit	318280
Recess Box - For Rheem 27	320316
Recess Box - For Rheem 16, 20 & 26	318994
Pipe Cover - For Rheem 27	320116
Pipe Cover - For Rheem 16, 20 & 26	320117
EZ LINK® Cable	290141
Standard Kitchen Temperature Controller	A299850
Standard Bathroom 1 Temperature Controller	A299851
Standard Bathroom 2 Temperature Controller	A299852



**\*Rheem 27 Indoor Flue System**

A certified Rheem coaxial flue system must be used with all Rheem 27 indoor models. There are three indoor flue kits available:- Horizontal Side Exit, Horizontal Rear Exit and Vertical. Please contact your local plumber, plumbing merchant or Rheem Customer Service on 0800 657 336 to discuss the best solution for your needs. The Rheem flue system uses a twin pipe design (one pipe inside the other) ; an inner pipe of stainless steel for exhaust, and an outer steel pipe for inlet air. This flue system can exhaust either through a roof or wall. (Subject to Building Regulations).



# ON-TAP FILTERED, CHILLED AND BOILING WATER

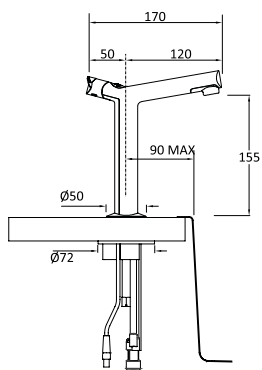
Rheem On-Tap Series		On-Tap 3L	On-Tap 5L	On-Tap Plus 5L	Push-thru 1.8L Chiller
On-Tap Aqua™		743003F	743005F		318844
On-Tap Azure™		743103F	743105F		
On-Tap Plus Aqua™				7430054SR	
On-Tap Plus Azure™				7431054DR	
Boiling Delivery – p/hr	Litres	16.6	20	20	-
Boiling Delivery – p/hr	Cups*	98	118	118	-
Mixed Delivery – p/hr <sup>^</sup>	Litres	-	-	57	-
Chilled Delivery – p/hr	Litres	-	-	-	12.5
Chilled Delivery – p/hr	Glasses**	-	-	-	63
Weight empty	Kg	12	12	12	12
Weight full	Kg	18	18	18	14
Recommended Min water pressure	kPa	300	300	300	140
Max water pressure	kPa	500	500	500	400
Element	kW	1.5	1.8	1.8	-
Electrical connections		10 amp 3 pin plug and flex			
Plumbing connections		½" BSP			
A Width (mm)		175	175	175	205
B Depth (mm)		460	460	460	408
C Height (mm)		405	405	405	278
Accessories	Part No				
Aqua™ Sink Free & Extension Kit	317453	Optional	Optional	Optional	
Azure™ Sink Free & Extension Kit	319042	Optional	Optional	Optional	
Azure™ Combined Base Sink Free & Extension Kit	319047	Optional	Optional	Optional	

\*Cup size 170ml \*\*Glass size 200ml ^ @ 50°C

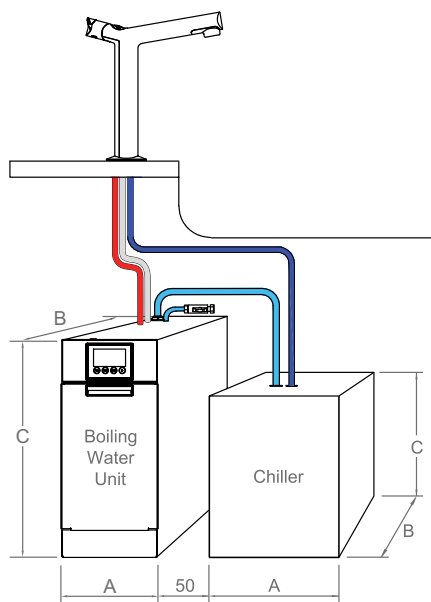
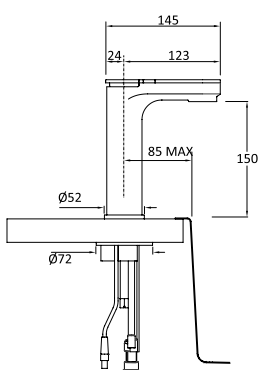
Calculations based on incoming water temperature of 17°C

## DISPENSING TAPS

Aqua™

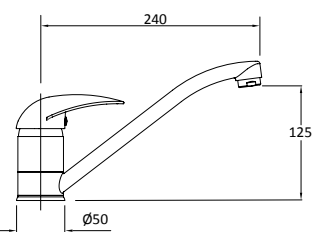


Azure™

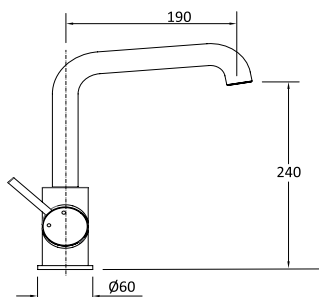


## MIXER TAPS

Aqua™



Azure™

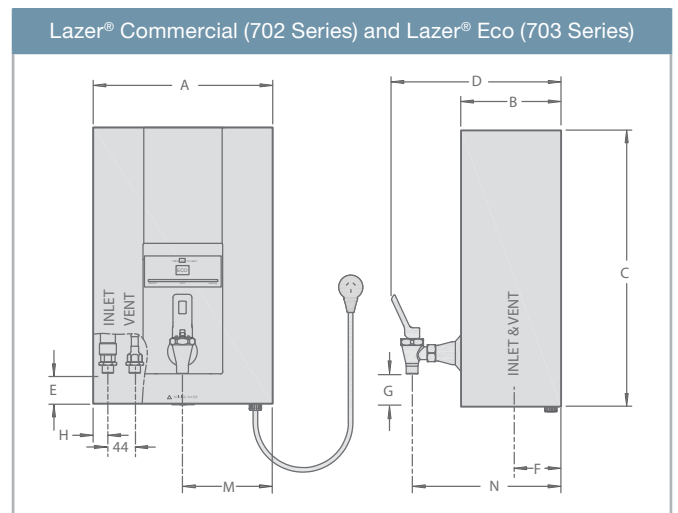
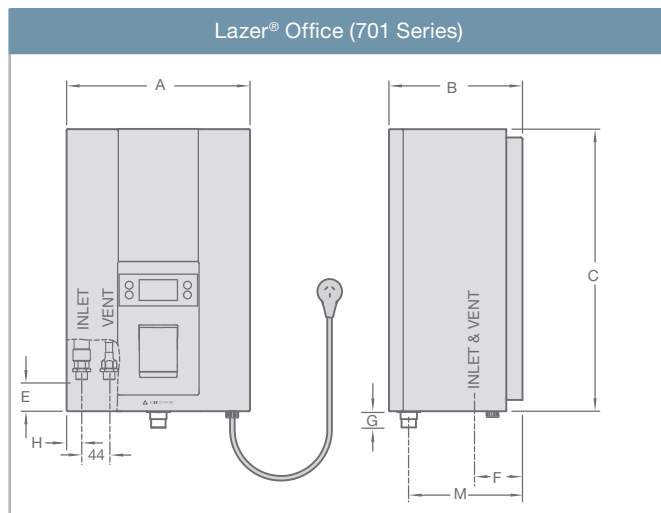


# LAZER® BOILING WATER

Lazer® Boiling Water Unit		Lazer® Office		Lazer®Eco			Lazer® Commercial				
White		70103W-NZ	70105W-NZ	70303W-NZ	70305W-NZ	70307W-NZ	70207W-NZ	70210W-NZ	70215W-NZ	70225W-NZ	70240W-NZ
Stainless Steel		70103S-NZ	70105S-NZ				70207S-NZ	70210S-NZ	70215S-NZ	70225S-NZ	70240S-NZ
Capacity	Litres	3	5	3	5	7.5	7.5	10	15	25	40
Delivery – Initial	Litres	3.5	6	3.5	6	8.5	8.5	11	17	27	42
	Cups*	21	35	21	35	50	50	65	100	159	247
Recovery	L/hr	17.5	23	17.5	23	23	23	23	23	35	45
– Cups per hour	Cups*	103	135	103	135	135	135	135	135	206	265
Weight empty	Kg	6	8	6	8	9	9	10	15	17	19
Weight full	Kg	10	15	10	15	19	19	22	34	47	67
Min water pressure	kPa	50	50	50	50	50	50	50	75	75	100
Max water pressure	kPa	1000	1000	1000	1000	1000	1000	1000	1000	1000	1000
Element Rating @ 240V	kW	1.8	2.4	1.8	2.4	2.4	2.4	2.4	2.4	3.6	4.6
Electrical connections		Supplied with 10 amp 3 pin plug and flex									Hard-wired
Plumbing connections		½" BSPM									
A Width		285	334	283	336	336	336	336	336	336	490
B Depth		209**	241**	160	192	192	192	192	299	299	340
C Height		435	465	435	465	515	515	615	515	720	615
D		–	–	280	312	312	312	312	419	419	460
E		65	65	65	65	65	65	65	65	65	65
F		70**	70**	45	45	45	45	45	45	45	45
G		33	33	50	50	50	50	50	50	50	50
H		20	20	23	23	23	23	23	23	23	23
M		142	167	142	168	168	168	168	168	168	245
N		174**	210**	238	270	270	270	270	377	377	418

\*Cup size 170ml \*\*Includes 25mm for supplied backing plate.

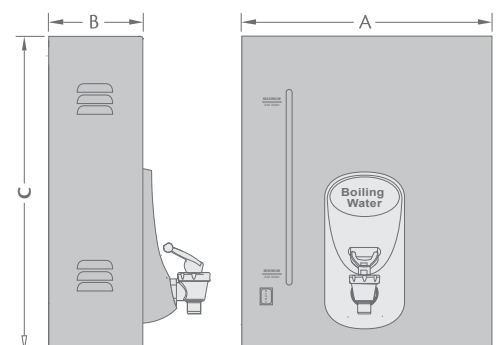
Calculations based on incoming water temperature of 18°C



# ZIP® BOILING WATER

Models	83204514	83207014	83215014	83223014	83235014
Delivery Capacity (L)	4.5	7.0	15	23	34
Dimension A mm	340	340	490	490	490
Dimension B mm	180	180	180	235	325
Dimension C mm	430	515	615	615	615
Weight Empty (kg)	9	10	15	17	20
Weight Full (kg)	16	20	35	45	62
Element Rating @ 240V (kW)	2.4	2.4	2.4	2.4	2.4

Approximate Heat Up Times From Cold (18°C)					
Maximum Level (mins)	16	23	46	67	102
Minimum Level (mins)	4	6	14	24	28



# PREMIER LOLINE SOLAR®

Models	
Electric / 2 Collectors	A591270/2C
Electric / 3 Collectors	A591270/3C
Gas Boost / 2 Collectors	A591270/2CGL/2CGN (ULPG/Natural Gas)
Gas Boost / 3 Collectors	A591270/3CGL/3CGN (ULPG/Natural Gas)
Storage Capacity	270 Litres
Roof Space Required- 2 Collectors	2.4m x 2.0m
- 3 Collectors	3.6m x 2.0m
Dimensions - Cylinder	H 1700mm x D 650mm
Weight Empty - Cylinder	146kg
Weight Empty - Collector	48kg
Temperature Pressure	1000kPa
TPR Valve Setting	850kPa
Expansion Control Valve (ECV) Setting	850kPa
Minimum Supply Pressure	150kPa (Gas boosted only)
Water Connections - Inlet	¾ /20 BSPF
- Outlet Tempered	¾ /20 BSPF
- Gas	¾ /20 BSPM
- Solar Flow and Return	½ /15 BSPM

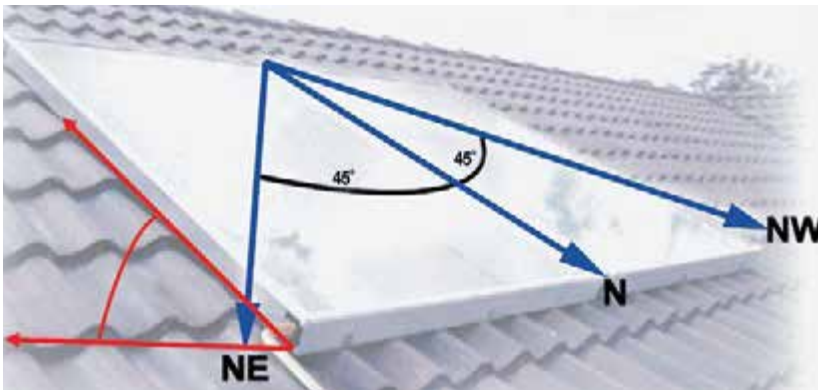
Sizing Guide	Zone	People	
		Gas	Electric
Moderate Climate	1	2 - 6	1 - 3
Cold Climate	2	2 - 5	1 - 3

Recommended Minimum Panel Inclination Angles					
Auckland	20°	Hamilton	22°	Wellington	25°
Christchurch	30°	Dunedin	35°	Invercargill	37°

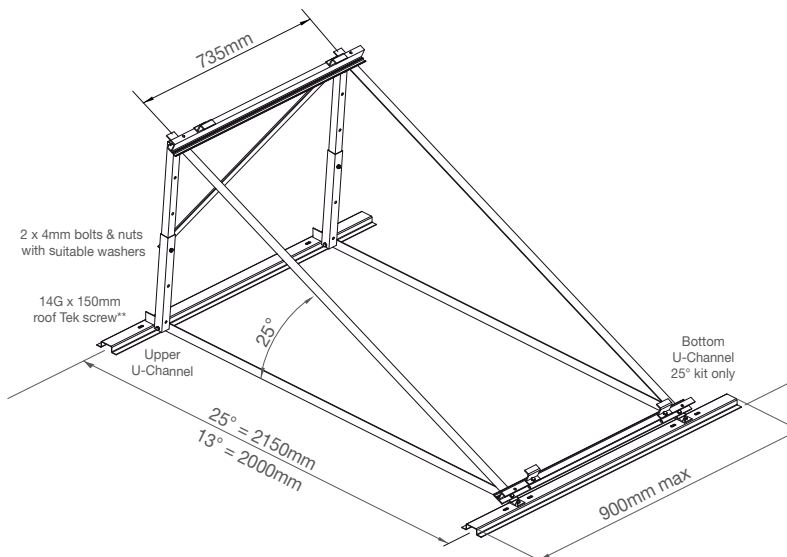
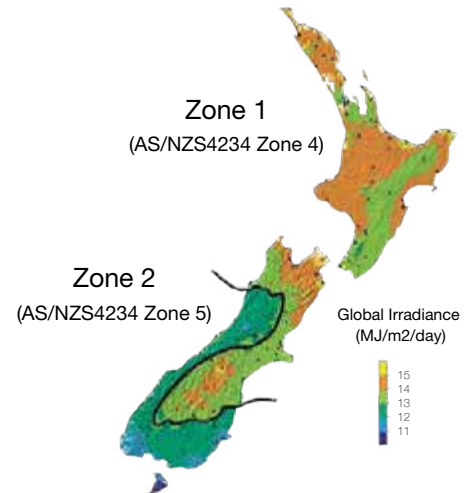
Boost Specifications	
Electric Supply Voltage	Volts 220-250
Available in 3.6kW (15 amp)	
Gas Input - Natural Gas	MJ/hr 205
Available in Natural Gas and ULPG	

Solar Ready MPVE* Storage Tanks- Non-Coiled			
Model	A51127007	A51134007	A51143007
Storage Capacity (L)	270	325	410
Boost Volume (L) 3.6kW Element	160	200	285
Height x Width (mm)	1395 x 640	1640 x 640	1840 x 690
Weight Empty (kg)	70	87	111

\*Mains Pressure Vitreous Enamel



AS/NZS4234 Climate Zones (Solar)



N.B. Collector size (1023 x 1941mm) is greater than frame size.

\*\*Screws must be compatible with substrate/roofing material.

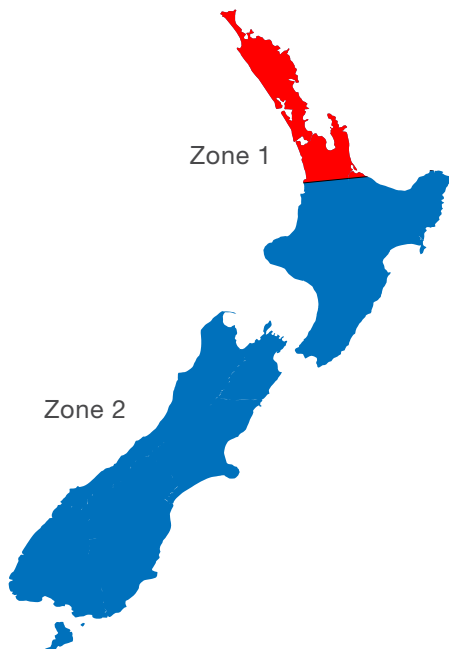
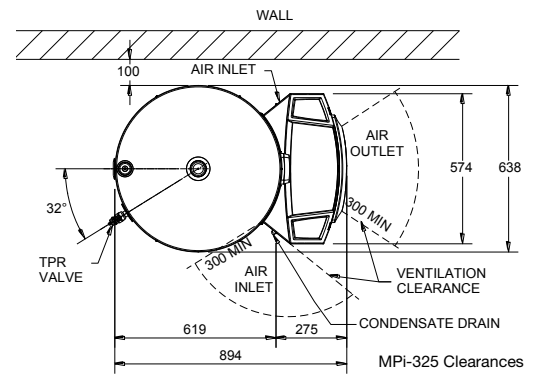
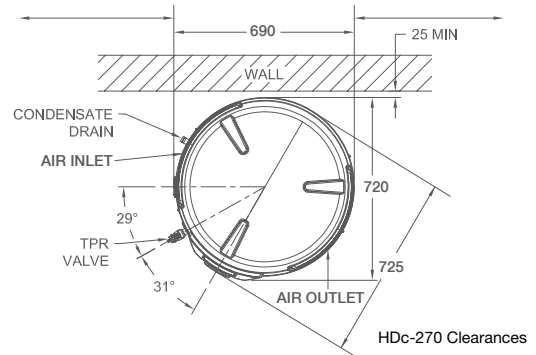
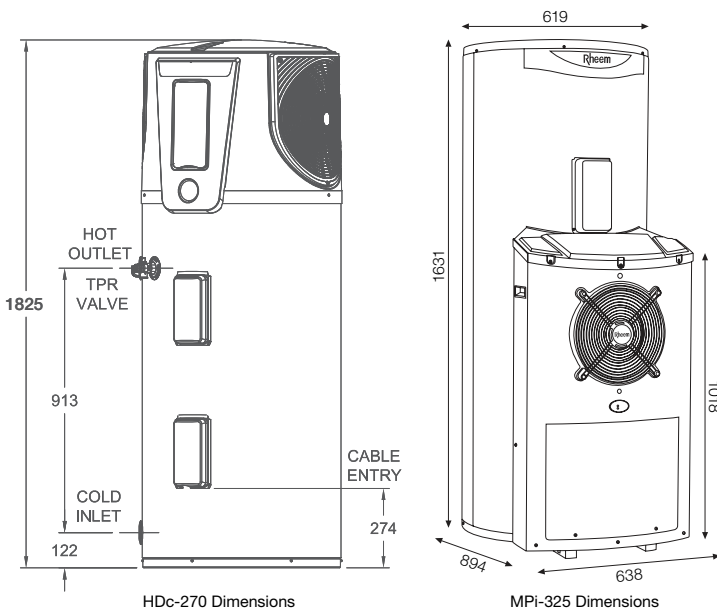
# HEAT PUMP

		HDc-270	MPi-325
Model No.		A55127005	A55132507
Approx. Storage Capacity	Litres	270	325
Height	mm	1825	1630
Width	mm	690	638
Depth	mm	720	863
Approx Weight Empty	Kg	135	136
TPR Valve Setting	kPa	1000	1000
With Expansion Control Valve	kPa	680	680
Without Expansion Control Valve	kPa	800	800
Minimum Water Pressure	kPa	200	200
Water Connections		RP ¾	RP ¾
Element Rating	kW	2.4	3.6
Power Input	W	985	800

Performance		
Model	Litres Per Hr	Ambient Air Temp (C)
HDc-270	54	7
	77	19
	90	32
MPi-325	25	10
	34	20
	42	30

350mm minimum distance from air inlet to wall or obstruction measured horizontally along wall. 900mm minimum recommended for service.

1000mm minimum distance from air inlet to wall or obstruction measured horizontally along wall. 900mm minimum recommended for service.



Model Name	Heat Pump MPi-325	Ambiheat HDc-270
Model Code	A55132507	A55127005
Outside Operating Temperature range for use	+3°C to +45°C	-5°C to +43°C
Can be installed in Zone	1	1 and 2

# RAYPAK® POOL & SPA WATER HEATERS

Model		Temperature Rise per Hour (Spa)				Temperature Rise over 24 Hours (Pool)*				
		Spa Volume (Litres)				Pool Surface Area (m2)				
		2000	3000	4000	5000	20	40	60	80	100
131 Spartan	Outdoors only	10°	6°	5°	4°	-	-	-	-	-
200 Residential	Indoors & Outdoors	17°	12°	9°	7°	21°	15°	10°	8°	6°
280 Residential or Premium	Indoors & Outdoors	25°	17°	12°	10°	26°	20°	14°	10°	8°
350 Residential	Indoors & Outdoors	32°	21°	16°	12°	32°	25°	18°	13°	10°
430 Residential or Premium	Indoors & Outdoors	38°	26°	19°	15°	34°	27°	20°	15°	12°

\*Ideally 14° or more over 24 hours is desirable

Model	Nominal Rating				Approximate Dimensions				Connections		Indoor Installations	
	Natural Gas		ULPG		All Models				Gas	Water		
	Input MJ/h	Output kW	Input MJ/h	Output kW	Height mm	Width mm	Depth mm	Weight kgs	mm	mm	Flue Diameter mm	Height Overall mm
131 Spartan	120	24	117	24	860	440	650	35	20	40	N/A	N/A
200 Residential	196	44	185	41	1580	530	650	70	20	50	175	1550
280 Residential or Premium	278	62	261	58	1085	640	650	75	20	50	200	1550
350 Residential	343	76	323	72	1085	730	650	85	20	50	225	1605
430 Residential or Premium	420	94	369	88	1085	870	650	90	20	50	250	1605

# DOMESTIC WARRANTIES\*

## ELECTRIC

Mains Pressure Electric Vitreous Enamel Indoor  
10 years tank, 5 years tank labour, 1 year parts and labour.

Mains Pressure Electric Vitreous Enamel Optima  
12 years tank, 5 years tank labour, 3 years parts and labour.

Mains Pressure Electric Stainless Steel & Coil  
10 years tank, 3 years tank labour, 1 year parts and labour.

Low Pressure Electric Vitreous Enamel  
10 years tank, 5 years tank labour, 1 year parts and labour.

Low Pressure Electric Copper  
5 years tank, 1 year tank labour, 1 year parts and labour.

## GAS

Gas Continuous Flow  
10 years on heat exchanger, 3 years parts and labour.

Mains Pressure Gas Storage  
5 years tank, 1 year tank labour, 1 year parts and labour.

Stellar Gas Storage  
10 years tank, 5 years tank labour, 1 year parts and labour.

## HEAT PUMP

MPi-325 Heat Pump  
5 years tank, 3 years tank labour, 1 year parts and labour.  
2 years sealed system including labour.

Ambiheat™ Heat Pump  
7 years tank, 3 years tank labour, 1 year parts and labour.  
3 years sealed system including labour.

## SOLAR

Solar Premier  
5 years tank, 3 years tank labour, 1 year parts and labour,  
5 years collector parts and labour

## BOILING WATER

Lazer® Office, Eco & Commercial & On-Tap  
Boiling Water Unit  
5 years tank, 2 years tank labour, 2 years parts and labour

Zip® Boiling Water Unit  
5 years tank, 1 year tank labour, 1 year parts and labour

\*The water heater warranties listed on this page are for single family premises in a domestic application. These warranties apply to New Zealand only.

For Raypak and Rheem Commercial Warranty information, call 0800 667 336 or visit [www.rheem.co.nz](http://www.rheem.co.nz)

# Join the smart energy revolution



**Install a Rheem®**

**Rheem New Zealand Limited**

475 Rosebank Road, Avondale 1026, PO Box 19011, Avondale, Auckland 1746. Freephone 0800 657 336 – [www.rheem.co.nz](http://www.rheem.co.nz)  
All specifications contained in this brochure are subject to change without notice. Please check the specifications are current at the time of ordering. All information is current at the time of publication (February 2024).