

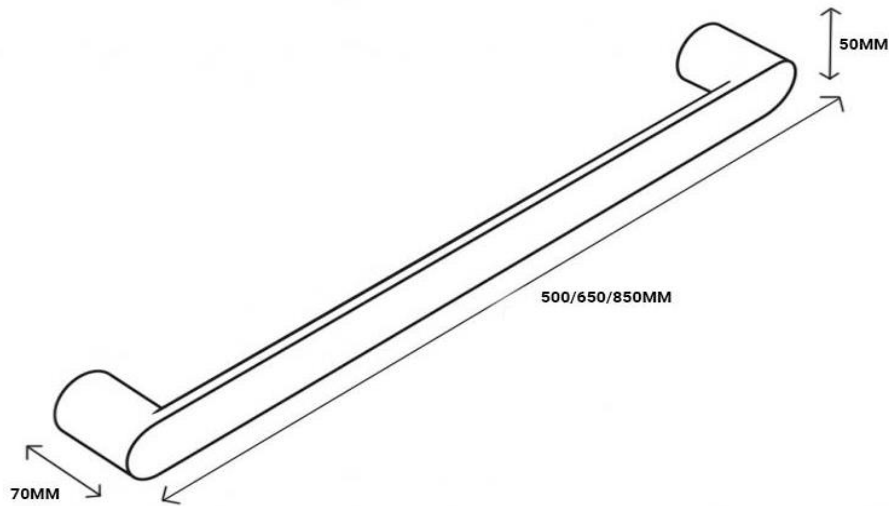
## Towel Rail Single Bar Round 12V 850mm



RTSBR850BL

Towel Rail Single Bar Round 12V 850mm Satin Black

The Code electric towel bar with round mounting posts offer a unique collection focused on contemporary, geometric lines. Offering pure flexibility in the number and positioning of the rails, they can be installed in multiples (sold separately) and connected in parallel to a common low voltage transformer (also sold separately). Complementing any surrounding of square and round fixtures, making it adaptable to any bathroom setting. The concealed electrical connection is IP45 rated, can be orientated left or right hand and is manufactured and tested to AS/NZS 60335.2.43.



## CARE AND USE

## Bathroom Accessories

All finishes are smooth, abrasion resistant, corrosion resistant, fade-proof and easy to clean. All finishes are super hard wearing surfaces that won't chip, peel or tarnish with normal use. All surfaces should be regularly wiped clean with non scouring, neutral wash solutions.

## LIMITED PRODUCT WARRANTIES

To be read in conjunction with and subject to all terms and conditions contained in the Waterware 'Producer Statement' available on-line (<http://www.waterware.co.nz/media-downloads>) From date of purchase, Waterware Services warrants products from the following categories to be free from manufacturing defect subject to exclusions (if applicable):

Category	Domestic Installations	Commercial Installations	Exclusions	Wels
Towel rails	5 years parts and labour	1 years parts and labour	None	Not required