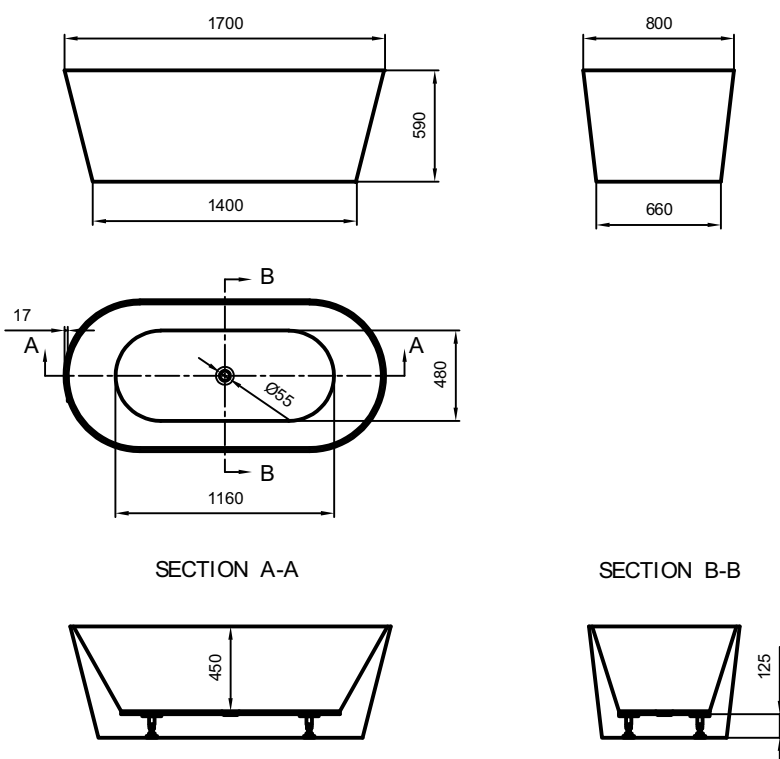


# Aquatica

## Estasi 1700 Freestanding Bath

aquatica



Code: SC ESTASI 1700 (Temporary code)

### Key Features:

- Premium Grade A acrylic
- Made to AS/NZ standard: 2023/1995
- High gloss white
- Centre waste position
- Plug & waste not included
- Floor to bottom of waste = 125mm nominal

### Size (L) x (W) x (H):

1700 x 800 x 590 (mm)

### Warranty

10 year warranty

Conditions apply please see website for details



KIWI OWNED COMPANY

NZ

- DESIGNED
- ASSEMBLED
- TESTED



### Aquatica NZ Limited

9 Saunders Place,  
Avondale, Auckland.

Tel: 09-828 2068,

Fax: 09-828 2069

Email: [info@aquatica.co.nz](mailto:info@aquatica.co.nz)

or visit our website:

[www.aquatica.co.nz](http://www.aquatica.co.nz)

© copyright Aquatica 2019