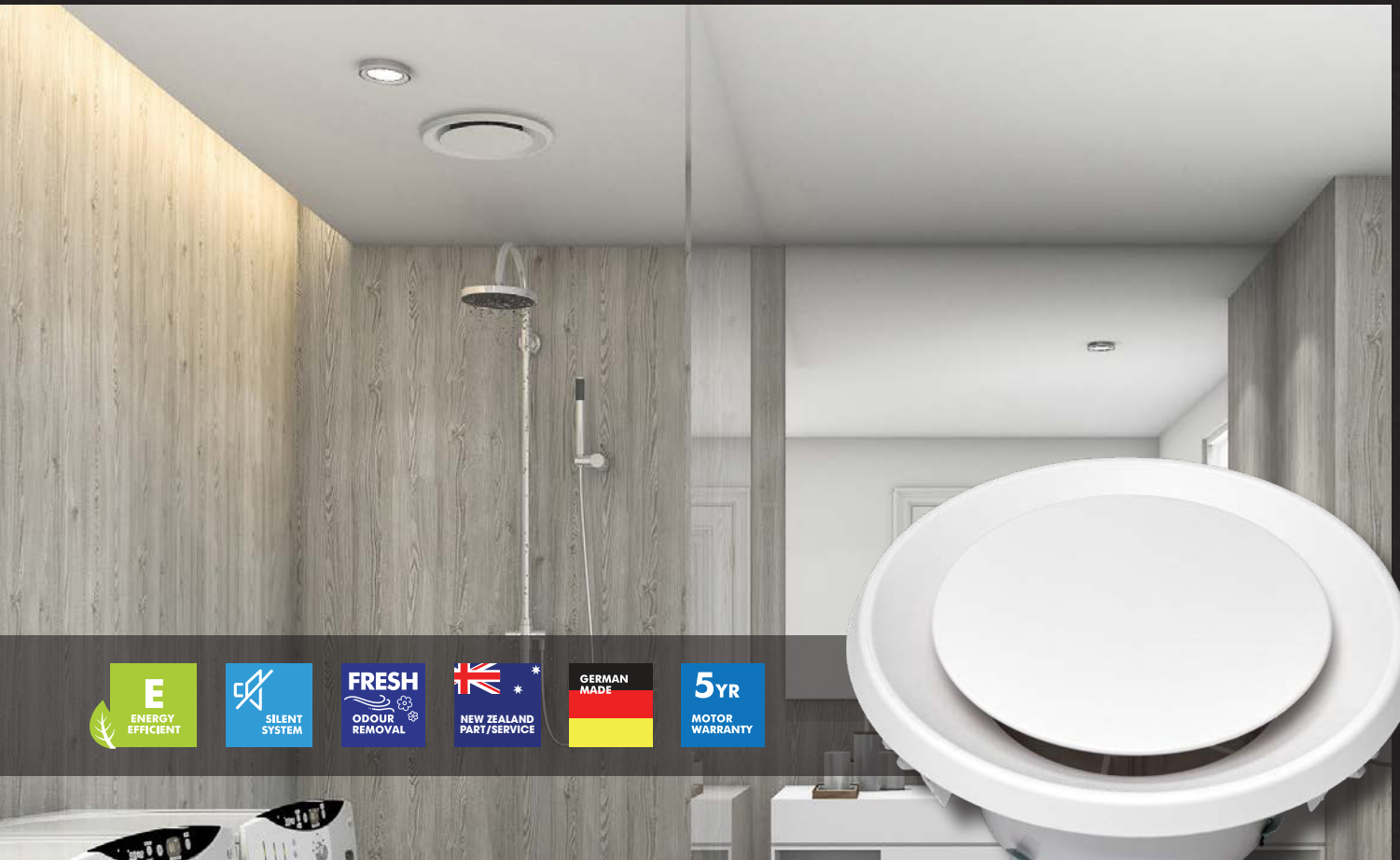


Schweigen Classic - Silent Bathroom Fan Specifications

schweigen



The Schweigen Classic is the base model and retrofits into an existing ceiling. The system comes with a standard round ceiling vent, a German-made IsoDrive Motor and all necessary ducting.

Silent Bathroom Extraction

The German manufactured IsoDrive motor removes steam and odours quickly and quietly. With the motor mounted on the outside of the home, you won't even know it's on.

The Most Powerful Extraction in New Zealand

With up to 900m³/hr (250 l/s) of air extraction, the IsoDrive motors efficiently remove steam and odours while eliminating condensation from mirrors, glass and windows.

Fresh & Hygienic Mould Prevention

Helps in the prevention of mould build-up by hygienically removing steam, odours and airborne bacteria without the use of harmful chemicals, leaving your bathroom clean and fresh.

Exceeds Government Regulations

Schweigen extraction systems exceed the ventilation standards of the NZ Ministry of Housing and Urban Development as well as section 138B of the Residential Tenancies Regulations 2019 (Healthy Homes Standards) stating that for a bathroom:

- (a). the fan and all exhaust ducting must have a diameter of at least 120 mm
- (b). the fan and all exhaust ducting must have an exhaust capacity of at least 25 l/s (90m³/hr)

Energy Efficient

New Zealand's most energy efficient venting system, using only 62 watts of electricity.

Two Room Extraction

Each of our systems in the range can be purchased in a two room configuration, capable of providing extraction for two adjacent rooms with one motor. They also come with an option of two motor sizes.

5 Year In-Home Warranty

Schweigen offers the peace of mind of a comprehensive 5-year In-Home Warranty on the IsoDrive motor.

Schweigen Classic - Silent Bathroom Fan - Specifications



Classic Single Room

650m³/hr Motor - Product Code: BR500

System Includes: 650m³/hr Motor, Exhaust Grill, Bell Mouth Adaptor, 100mm Pipe, 150mm Flexible Ducting (3m), Back Draught Shutter, System and Instruction Manual



Classic Double Room

650m³/hr Motor - Product Code: BR500CLY

System Includes: 650m³/hr Motor, Exhaust Grilles, Bell Mouth Adaptor, 100mm Pipe, 150mm Flexible Ducting (3m), Back Draught Shutter, System, Y-Connector and Instruction Manual



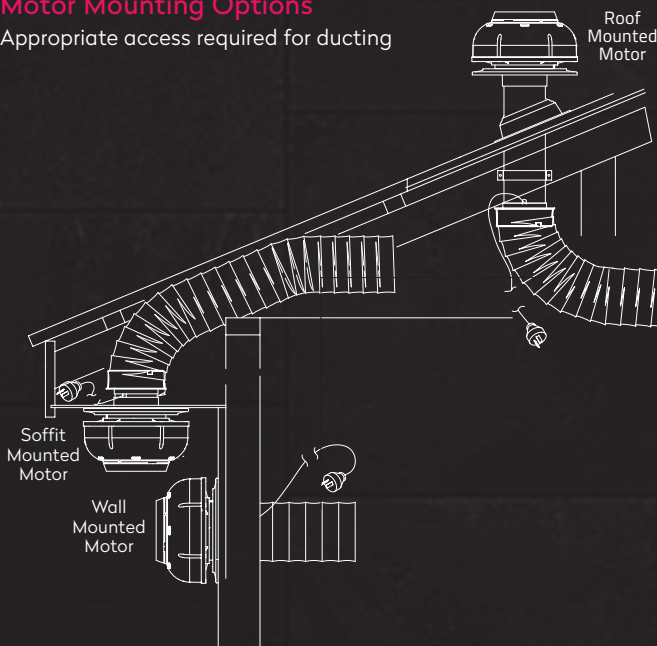
Classic Double Room

900m³/hr Motor - Product Code: BR900CL

System Includes: 900m³/hr Motor, Exhaust Grilles, Bell Mouth Adaptor, 150mm Pipe, 200mm Flexible Ducting (3m), Back Draught Shutter, System, Y-Connector and Instruction Manual

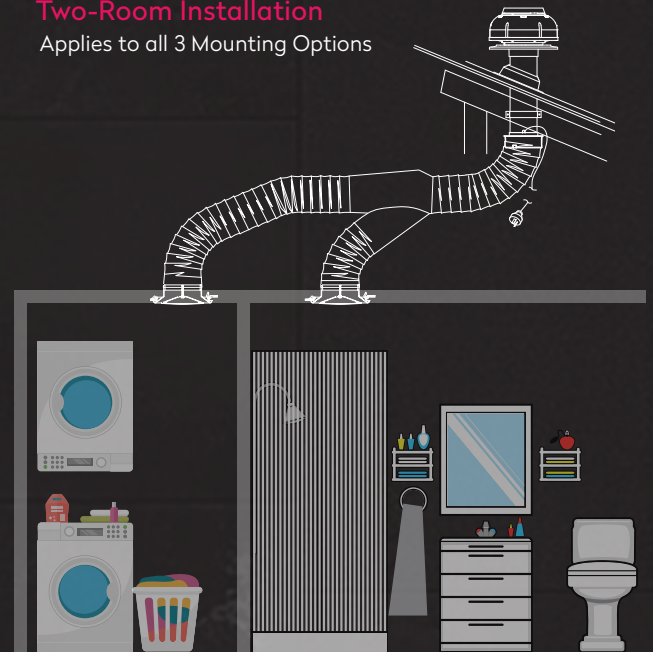
Motor Mounting Options

Appropriate access required for ducting

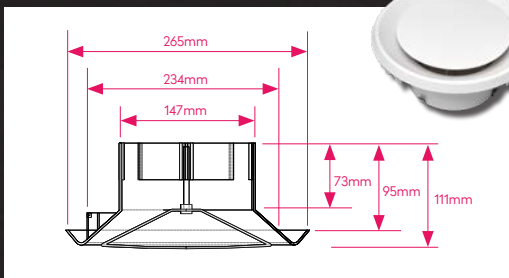


Two-Room Installation

Applies to all 3 Mounting Options

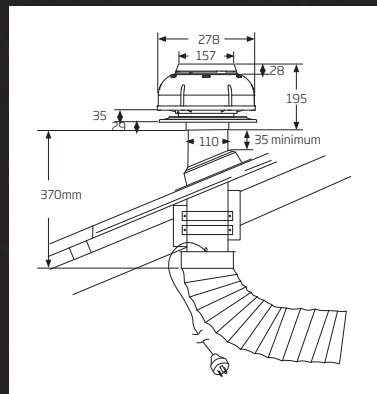


Classic Vent Dimensions



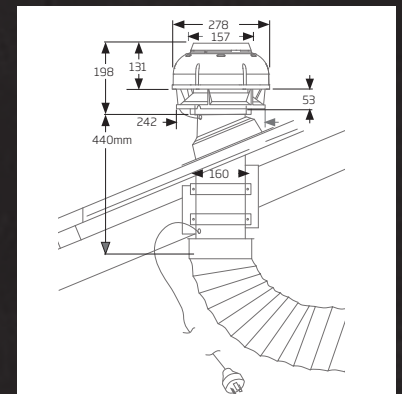
Dimension of Vents: Outer Diameter - 265mm
Diffuser Diameter - 185mm

650m³/hr Motor Dimensions



550m³/hr - 650m³/hr (150 l/s-180 l/s)
extraction power

900m³/hr Motor Dimensions



850m³/hr - 900m³/hr (220 l/s-250 l/s)
extraction power

schweigen

For more information contact Parex Industries Limited on
Tel: 0800 200 510 or email: info.parex@emerson.com

schweigen.co.nz

Under our policy of continuous product development, product specifications may change without notice.
All information is supplied is to be used for general reference purposes only and Parex Industries will not be liable for any loss, liability or damage arising as a result of any reliance upon such information.