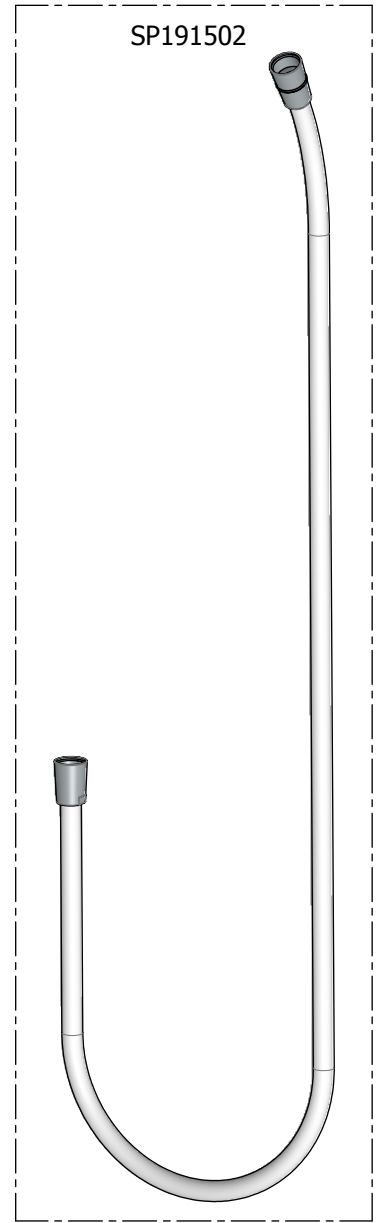
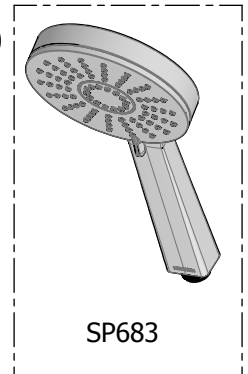
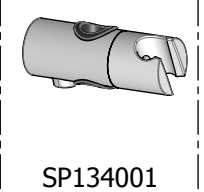
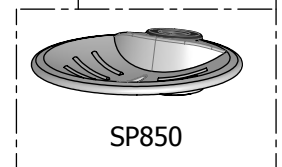
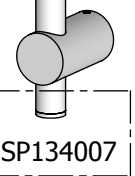
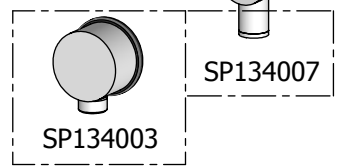
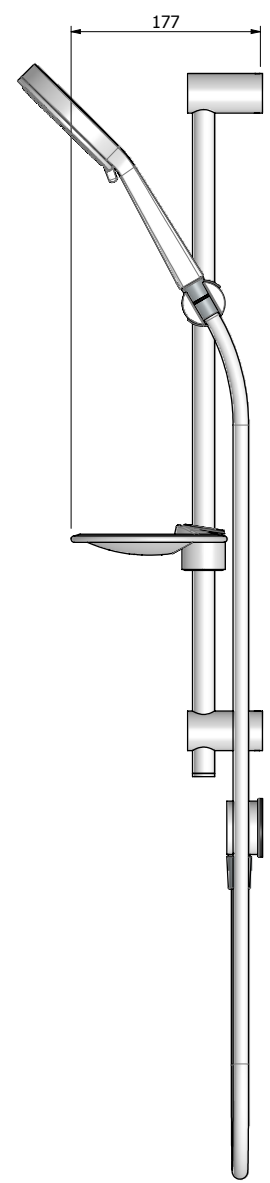
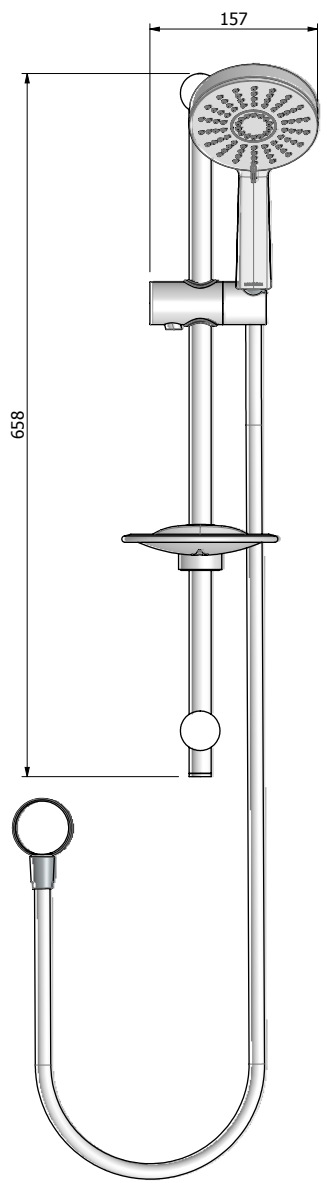


REV	DESCRIPTION	DATE	BY	ECA

METHVEN\_PRODUCT\_TEMPL\_04



**Process Control Notes:**

= Significant Characteristics  
 = Customer Significant Features  
 = Safety Critical Features

All identified features are required to be produced with a process Cpk ≥ 1.33

**Dimensions in mm**

Scale: 1:5

**DO NOT SCALE**

TOLERANCES UNLESS SPECIFIED OTHERWISE	
LINEAR 0 ± 0.4 0.0 ± 0.2 0.00 ± 0.1	ANGLES ± 3° SURFACE FINISH: 1.6/√ CONCENTRICITY © 0.1 ALL Ø ABOUT COMMON CENTRELINE

DRAWN: C Bauer 14/06/2016	CHECKED: Select checked by
MATERIAL: Refer parts	MASS: 1227 g
COLOUR: Specify	FINISH: Specify
DESCRIPTION: <b>ALPHA RAIL SHOWER MKII - SP</b>	

<b>mETHVEN LIMITED</b> Private Bag 19996, Auckland 1746 447 Rosebank Road, Avondale, Auckland 1026 PH (+649) 829-0429 FAX (+649) 829-0439	Sheet 1 of 1
	Sheet size A3
	DWG. No: <b>SHALCP2</b> REV: <b>A</b>