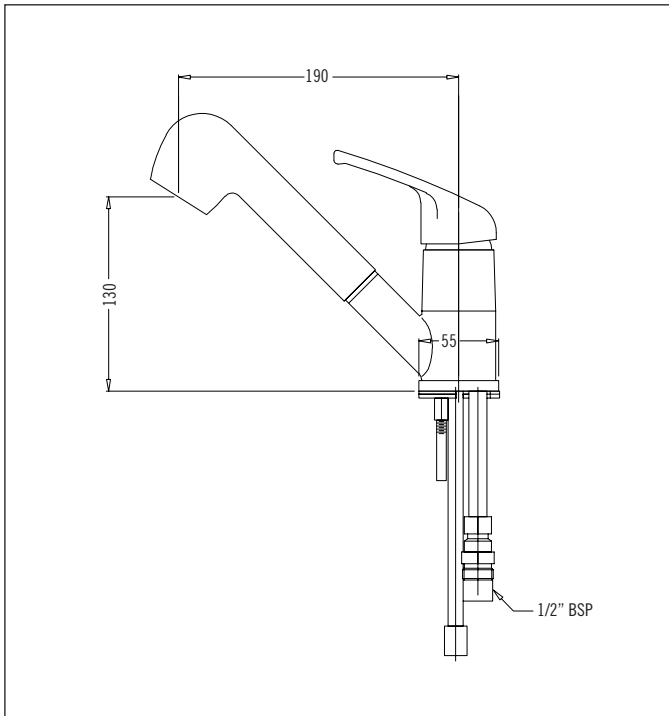


Sink Mixer with Pull-out Spray



Code: SM SMPS CP
 Finish: Chrome only
 Spout: Swivel 120°

Aerator supplied

Stainless Steel Inlet Hoses:

Hot:	I/D: 9.5mm	Size:	M16 x 1/2" BSP
		Length:	350mm
Cold:	I/D: 6.5mm	Size:	M12 x 1/2" BSP
		Length:	350mm

Spray Hose Internal Diameter: 9mm

Spray Hose Length: 1.5 metres

Spray Hose Extendable Length:	Maximum:	1 metre
	Recommended:	750mm

Handy Tip: Pull-out hose and counterweight must be free of interference under bench. (If flexi hoses are repeatedly hit, they will fail).

Metal Base Ring supplied with O-ring seal

Mounting Hardware:	Studs:	2 x 6mm
	Nut:	9mm A/F
	Horseshoe Washer	

Installation Hole Diameter:	Minimum:	38mm
	Maximum:	44mm
	Recommended:	39mm

Cartridge:	Mondo 40K	Flat base
------------	-----------	-----------

Handy Tip: Threaded base ring must be adjusted for correct swivel tension. (i.e. if it is too loose the spout will swing excessively; if excessively tight, it can result in damage to mixer). Not recommended for commercial installations.

Suitable for equal and unequal pressure systems

Recommended Pressure
 Operational Range:

Minimum:	60 kPa
Recommended:	600 kPa
Never to Exceed:	1000 kPa
Maximum Operating Temperature:	70°C

Aquatica Warranty

Aquatica NZ Limited offer, from the date of purchase, a 2 year warranty on handshowers, a 5 year warranty on tapware and accessories and a lifetime warranty on stainless steel sinks.

Aquatica NZ Limited warrants that only high quality workmanship and materials have been employed in the manufacture of its tapware, accessories and stainless steel products. If any faulty workmanship or materials is proven during the warranty period, Aquatica NZ Limited will at its own cost repair, or at its option replace, the faulty product. The guarantee is non-transferable and proof of purchase is required.

The use of spray or abrasive cleaners of any kind will void the warranty. (Tapware should only be cleaned with a mild detergent and a soft damp cloth).

Failure to use an in-line strainer or filter on lines to tapware incorporating a ceramic cartridge or ceramic disc mechanism will also void the warranty. In the Bay of Plenty (or any area with a high mineral content) failure to install a 1 micro carbon block cartridge may void the warranty.

Every effort has been made to show the products as they will be sold, however, all models and specifications are subject to change without notice.