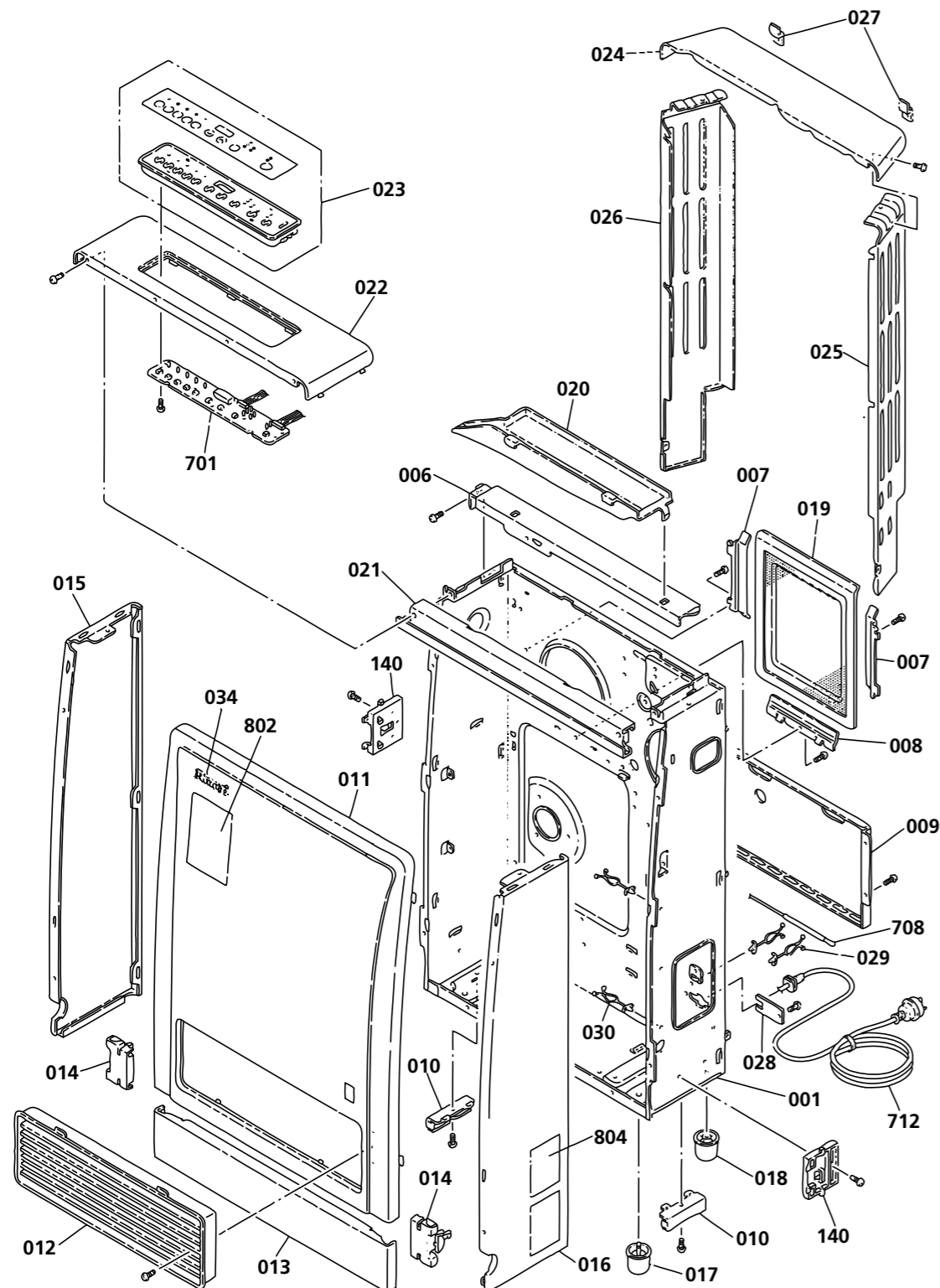


# Energysaver 309FT heater

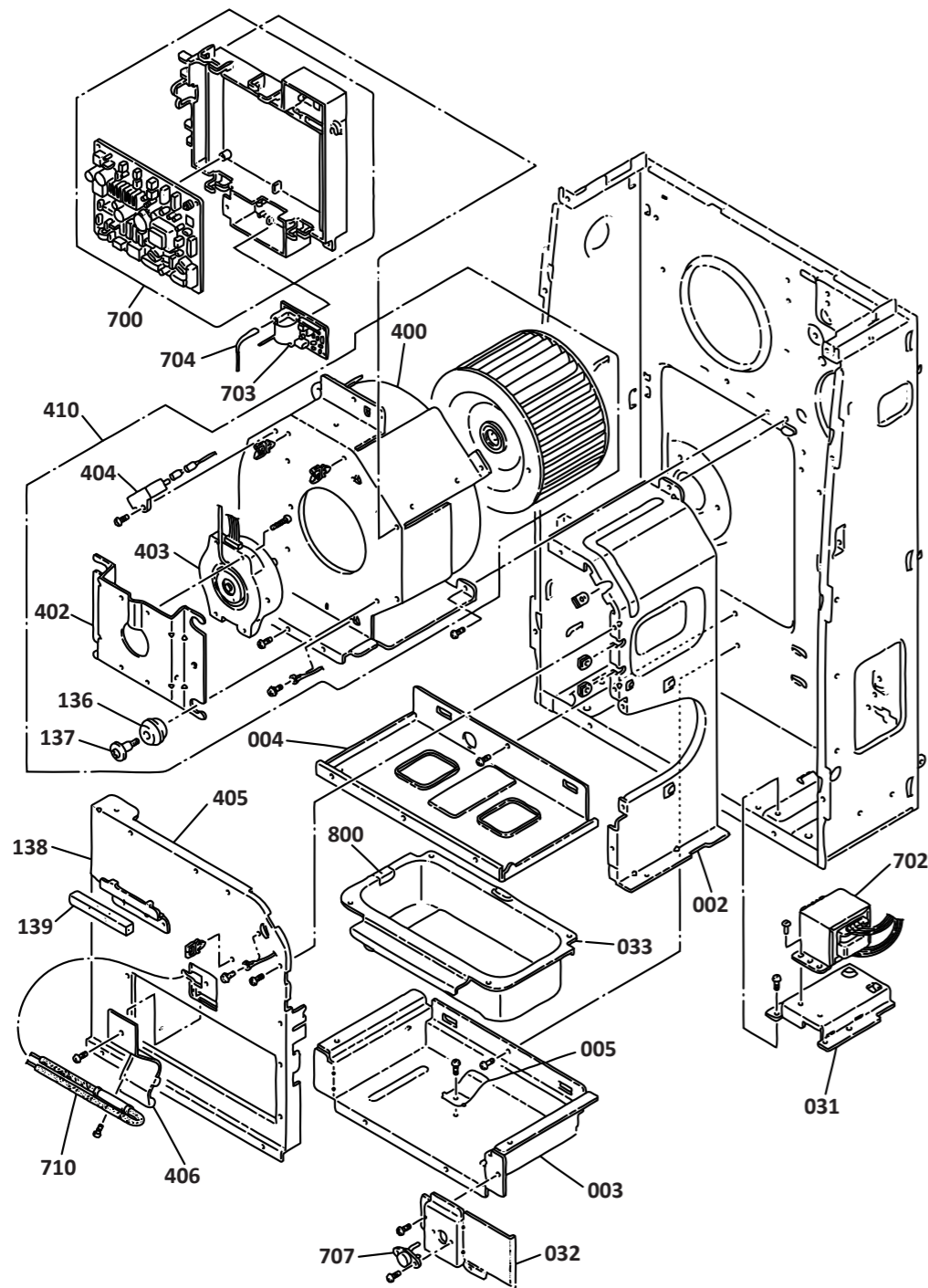
This diagram is provided to assist you to identify parts if replacement is necessary. Contact your place of purchase or the manufacturer to enquire about parts, availability and/or service.



Ref.	Description	Qty.	Part No.
001	Rear panel assembly	1	5359
006	Convection fan bracket	1	5365
007	Air filter support - side	2	4001
008	Air filter support - lower	1	4002
009	Heat shield panel	1	5366
010	Floor fixing bracket	2	3541
011	Front panel	1	5367
012	Louvre assembly	1	5368
013	Lower front cover	1	5369
014	Lock A	2	5370
015	Side panel LH	1	5371
016	Side panel RH	1	5372
017	Front leg	2	3403
018	Back leg	2	3405
019	Air filter assembly	1	5373
020	Cover	1	5374
021	Top panel support	1	5379
022	Top panel	1	5380
023	Control unit	1	5381
024	Back spacer top	1	5385
025	Back spacer RH	1	5386
026	Back spacer LH	1	5387
027	Clip	2	6684
028	Power supply cord bracket	1	5390
029	Cable clip	2	5391
030	Cable clip	3	5393
034	Rinnai logo	1	5396
140	Lock bracket	2	5444
701	Control circuit board	1	5464
708	Room thermistor assembly	1	5468
712	Power supply cord	1	5474

# Energysaver 309FT heater

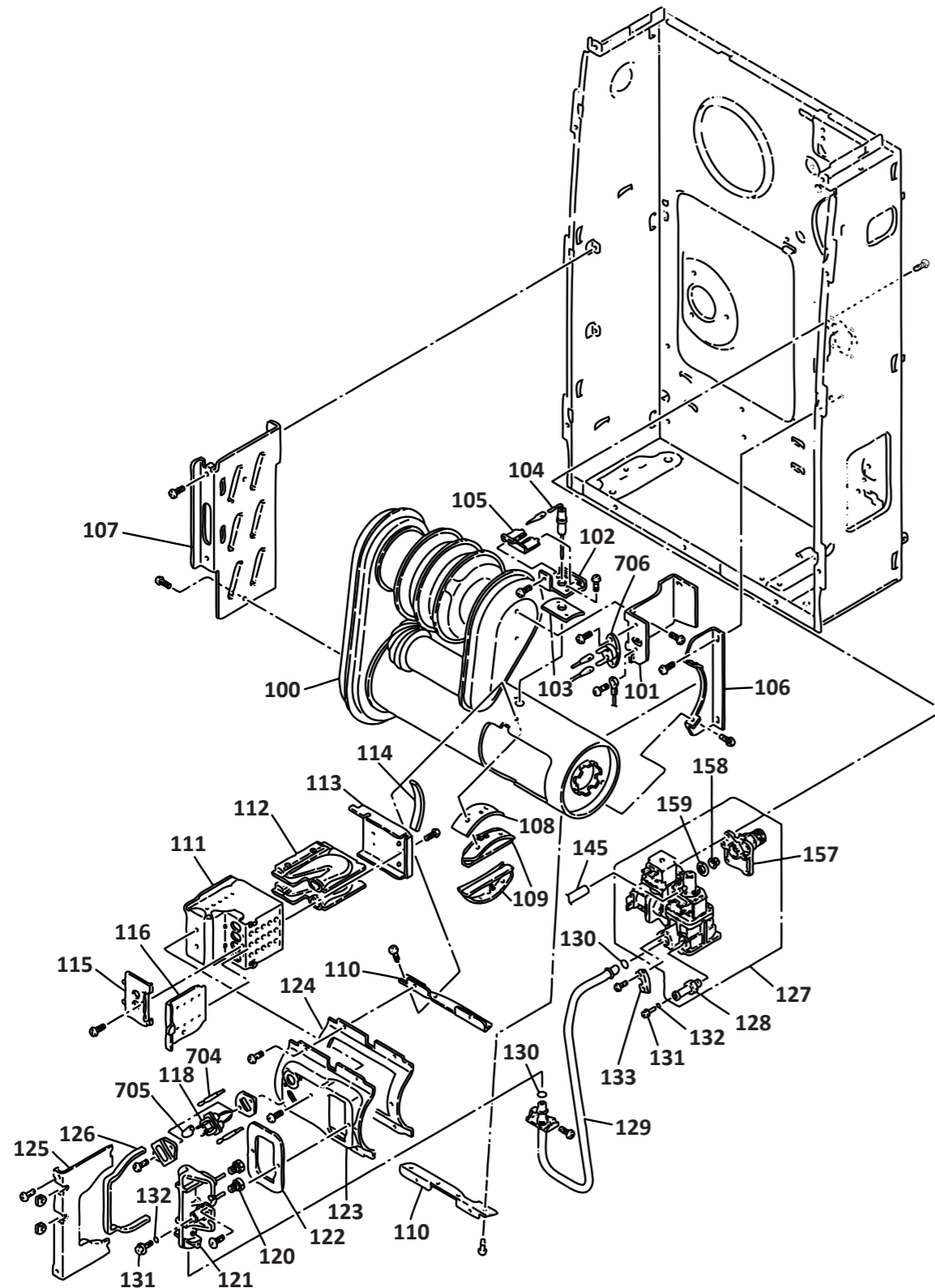
This diagram is provided to assist you to identify parts if replacement is necessary. Contact your place of purchase or the manufacturer to enquire about parts, availability and/or service.



Ref.	Description	Qty.	Part No.
002	Frame Center	1	5360
003	Bottom plate support	1	5361
004	Bottom plate upper partition	1	5362
005	Humidifier tray fixing plate	1	5363
031	Transformer bracket	1	5394
032	OHS no.2 bracket	1	5395
033	Humidifier tray	1	3554
136	Cushion rubber	7	4364
137	Screw for fan combustion	7	10291
138	Front panel fixer	1	5442
139	Front panel packing	1	5443
400	Convection fan casing assembly	1	5456
402	Motor base	1	5457
403	Convection fan motor assembly	1	5458
404	Capacitor	1	3107
405	Heat shield board assembly	1	5459
406	TF fixing plate	1	5460
410	Convection fan assembly	1	5462
700	PCB assembly	1	5463
702	Transformer	1	5465
703	Ignitor	1	13006
704	High tension lead	1	5467
707	Overheat switch	1	4384
710	Thermal fuse harness	1	13011
800	Water line label	1	5556

# Energysaver 309FT heater

This diagram is provided to assist you to identify parts if replacement is necessary. Contact your place of purchase or the manufacturer to enquire about parts, availability and/or service.

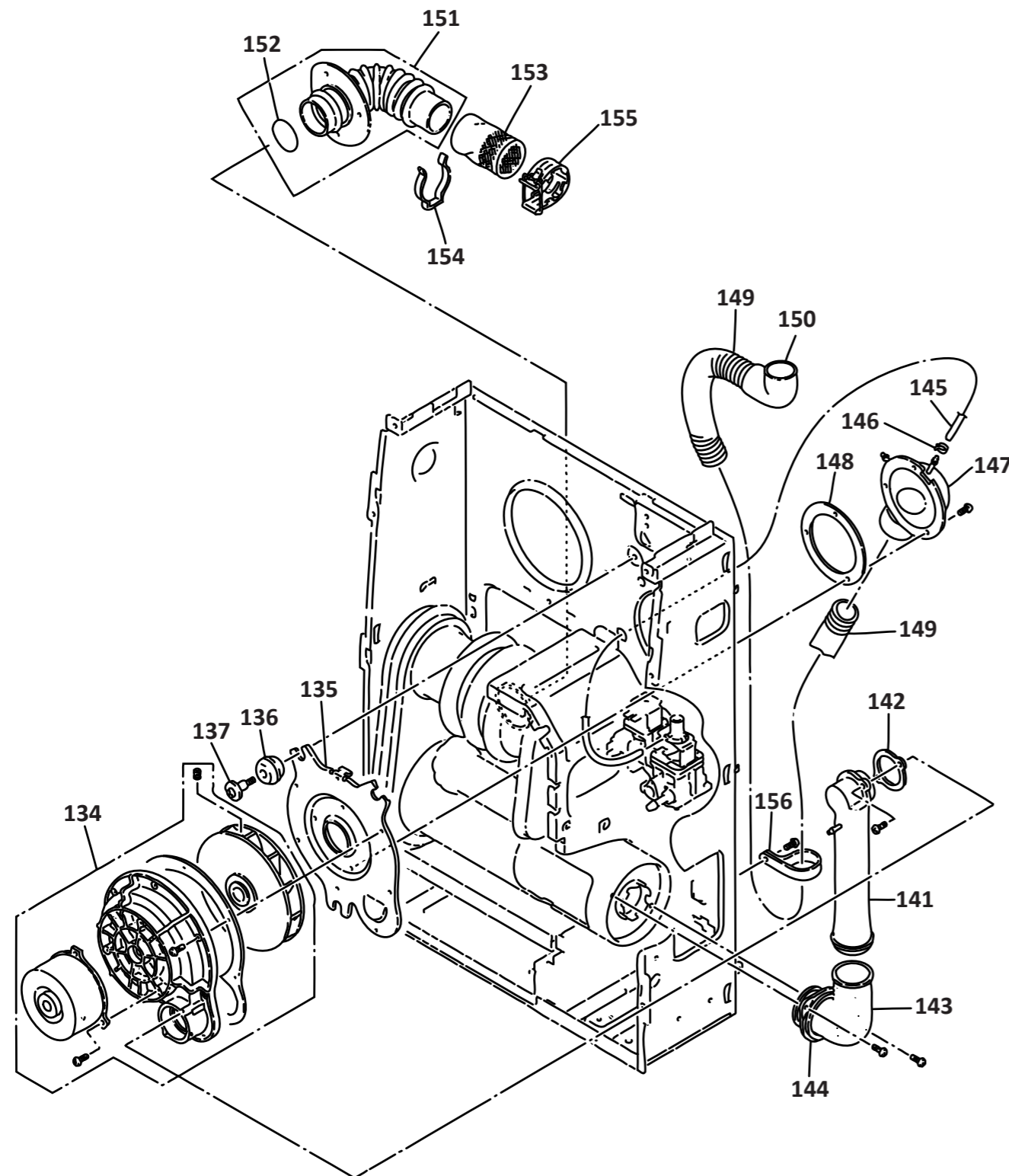


Ref.	Description	Qty.	Part No.
100	Heat exchanger assembly	1	5397
101	OHS fixer	1	5398
102	Flame rod bracket	1	5400
103	Flame rod packing	1	4230
104	Flame rod	1	5408
105	Flame rod retainer	1	5409
106	Combustion chamber fixer	1	5410
107	Fixing plate	1	5411
108	Seal plate packing	1	5412
109	Seal plate B	2	5413
110	Flange board	2	5414
111	Burner box assembly	1	5415
112	Burner	2	3091
113	Burner box support assy.	1	5416
114	Burner box packing	1	4231
115	Primary air damper	1	3588
116	Secondary air damper NG	1	3594
116	Secondary air damper LPG	1	3593
118	Electrode kit	1	R1345
120	Injector LPG	2	3093
120	Injector NG	2	5420
121	Manifold	1	5427
122	Manifold packing	1	5428
123	Burner box fitting plate	1	5429
124	Fitting plate packing	1	5430
125	Warm air seal panel	1	5432
126	Heat exchanger packing	1	4306
127	Gas control assembly	1	5433
128	Pressure point	1	5657
129	Inter-connection assembly	1	5437
130	O-ring M10B-1-10	2	2389
131	Pressure point screw	2	3564
132	O-ring	2	2239

Ref.	Description	Qty.	Part No.
133	Connecting tube retainer	1	5438
145	Tube E	1	5449
157	Gas inlet	1	4360
158	Gas filter	1	13019
159	Packing	1	10290
704	High tension lead	1	5467
705	Sleeve	1	3395
706	Overheat switch	1	4385

## Energysaver 309FT heater

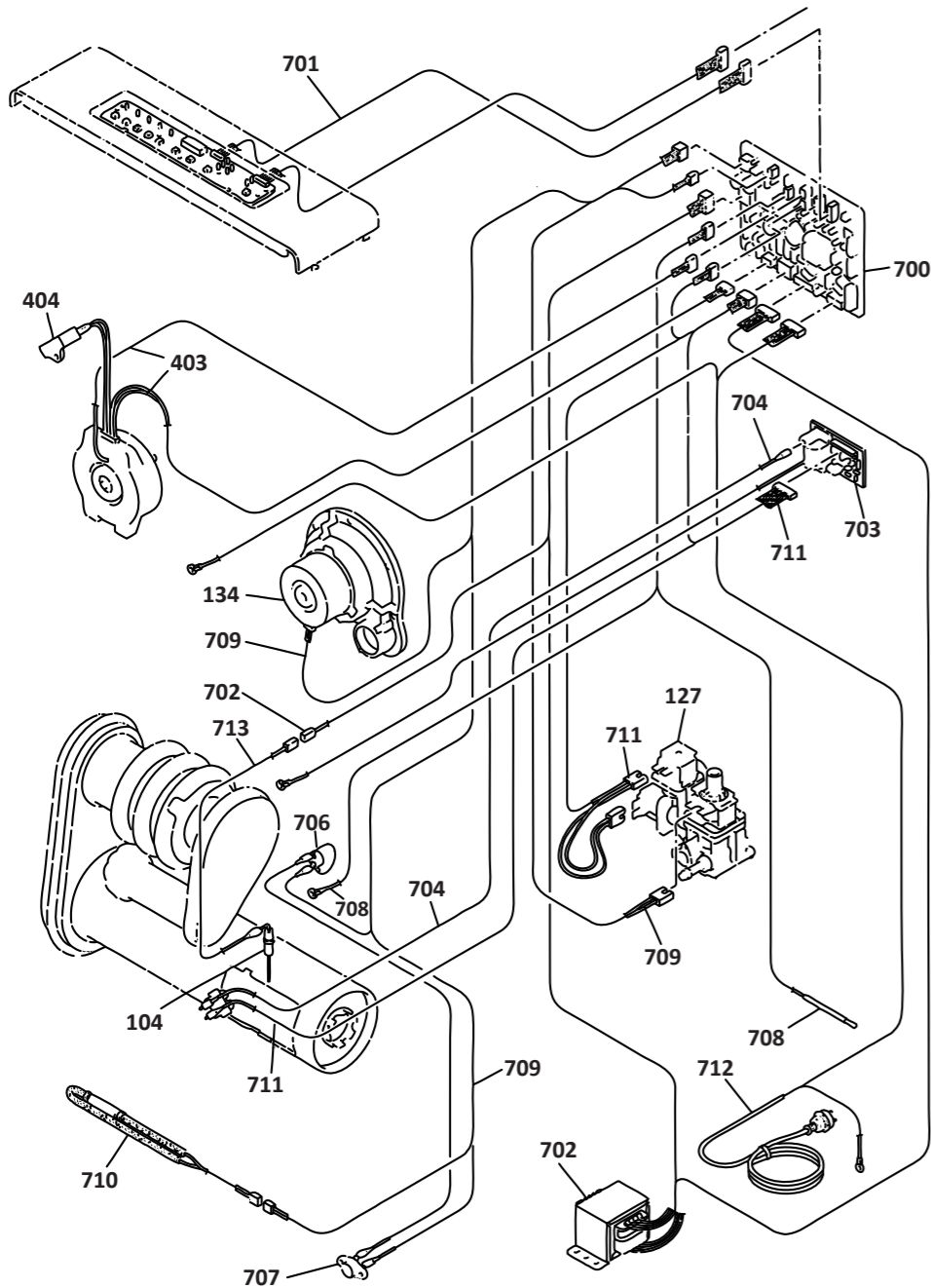
This diagram is provided to assist you to identify parts if replacement is necessary. Contact your place of purchase or the manufacturer to enquire about parts, availability and/or service.



Ref.	Description	Qty.	Part No.
134	Combustion fan motor assembly	1	5439
135	Combustion fan motor bracket	1	5441
136	Cushion rubber	7	4364
137	Screw for fan combustion	7	10291
141	Air inlet tube	1	5445
142	Air inlet packing	1	5446
143	Combustion chamber connection	1	5447
144	Connecting tube fixer	1	5448
145	Tube E	1	5449
146	Clip hose 8 mm	1	10495
147	Air inlet A	1	5451
148	Air inlet packing	1	4053
149	Air intake hose	1	4041
150	Air inlet elbow	1	4040
151	Exhaust elbow	1	5454
152	O-ring E	1	4037
153	Cover	1	2972
154	Ring	1	4171
155	Pipe stop assembly	1	3455
156	Clamp	2	4373
-	Energysaver flue fittings kit	1	3112

# Energysaver 309FT heater

This diagram is provided to assist you to identify parts if replacement is necessary. Contact your place of purchase or the manufacturer to enquire about parts, availability and/or service.



Ref.	Description	Qty.	Part No.
104	Flame rod	1	5408
127	Gas control assembly	1	5433
134	Combustion fan motor assembly	1	5439
403	Convection motor assembly	1	5458
700	PCB assembly	1	5463
701	Control circuit board	1	5464
702	Transformer	1	5465
703	Ignitor	1	5466
704	High tension lead	1	5467
706	Overheat switch A	1	4385
707	Overheat switch B	1	4385
708	Room thermistor assembly	1	5468
709	Motor harness	1	5471
710	TF harness	1	5472
711	SV IG harness	1	5473
713	FR lead	1	4398