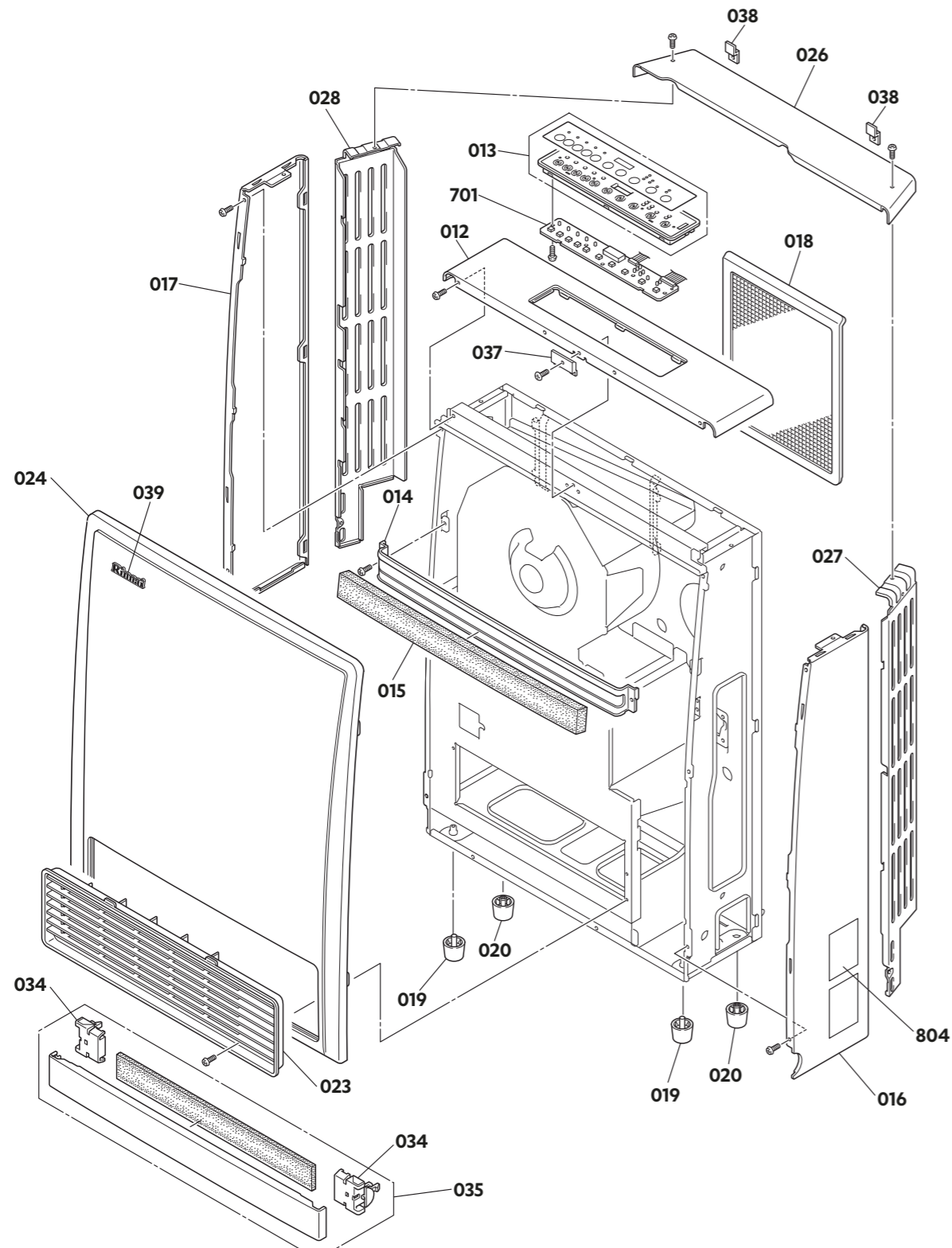


Energysaver 561FT flued heater

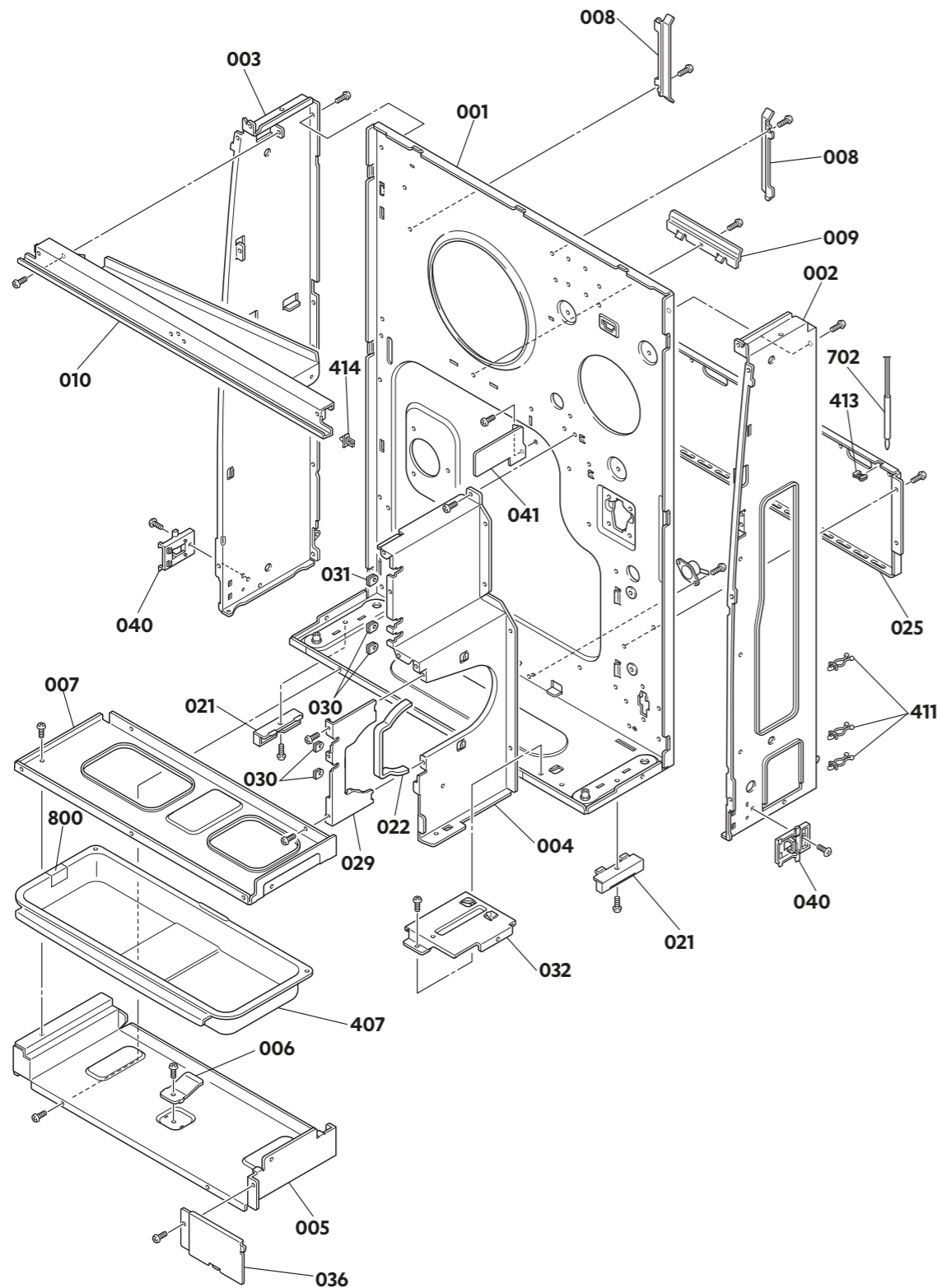
This diagram is provided to assist you to identify parts if replacement is necessary. Contact your place of purchase or the manufacturer to enquire about parts, availability and/or service.



Ref.	Description	Part No.
012	Top panel	5818
013	Control panel cover assembly	5819
014	Front panel reinforcement B	5821
015	Front panel packing	5822
016	Side panel right	5825
017	Side panel left	5826
018	Air filter assembly	5827
019	Front foot	3403
020	Rear foot	3405
023	Louvre assembly	5828
024	Front panel	5829
026	Back spacer top	5831
027	Back spacer right	5832
028	Back spacer left	5833
034	Latch front cover	5499
035	Lower cover assembly	5835
037	Front panel bracket	5504
038	Back spacer wall clip	5837
039	Rinnai badge	5396
701	Control circuit board	5464
804	Warning label	5562

Energysaver 561FT flued heater

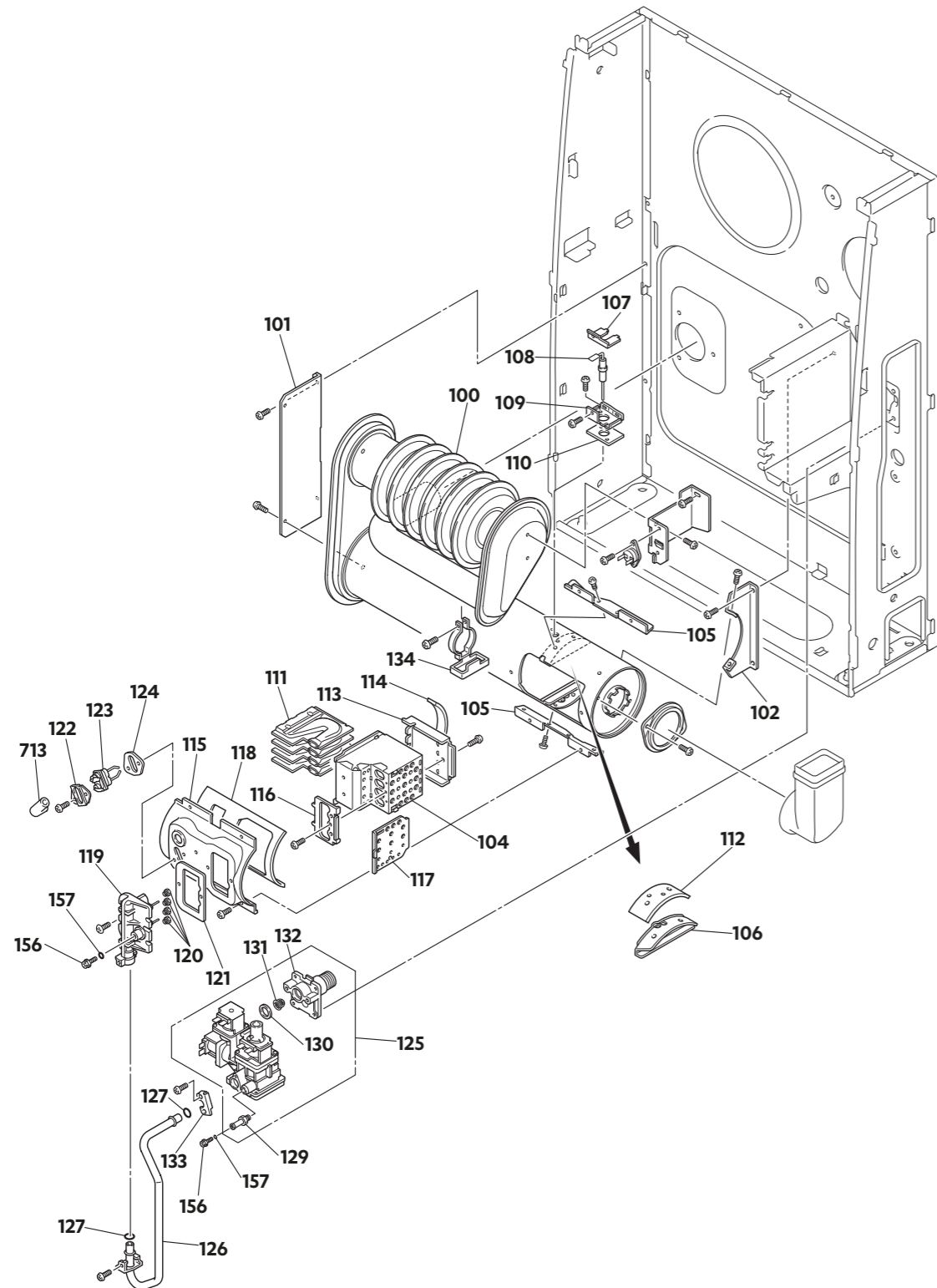
This diagram is provided to assist you to identify parts if replacement is necessary. Contact your place of purchase or the manufacturer to enquire about parts, availability and/or service.



Ref.	Description	Part No.
001	Rear panel assembly	5810
002	Frame right	5811
003	Frame left	5812
004	Frame center	5813
005	Humidifier tray base plate	5814
006	Humidifier tray fixing plate	5363
007	Humidifier tray top plate	5815
008	Filter bracket side	4001
009	Filter bracket bottom	4002
010	Top panel support	5816
021	Floor fixing bracket	3541
022	Heat exchanger packing	4306
025	Rear panel insulating	5830
029	Warm air seal panel	5432
030	Cord packing B	5496
031	Cord packing A	5497
032	Transformer bracket	5834
036	Wind shield plate	5836
040	Latch bracket	5505
041	Backboard current plate	5838
407	Humidifier tray	5859
411	Cable clip	5391
413	Edge saddle	5862
414	Wire clip	5863
702	Room temperature thermistor assembly	5865
800	Water line label	5556

Energysaver 561FT flued heater

This diagram is provided to assist you to identify parts if replacement is necessary. Contact your place of purchase or the manufacturer to enquire about parts, availability and/or service.

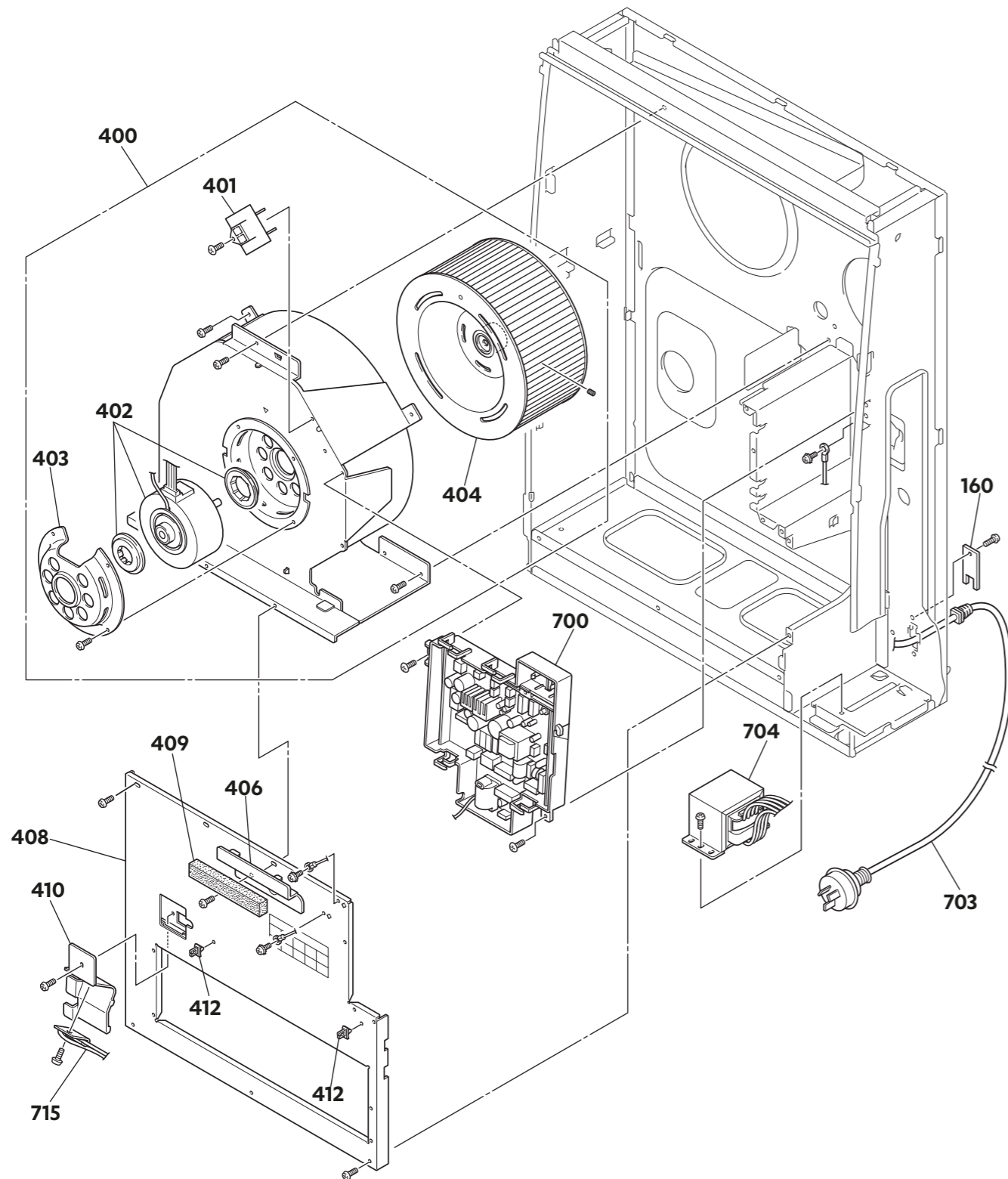


Ref.	Description	Part No.
100	Heat exchanger assembly	5839
101	Heat exchanger bracket	5840
102	Combustion chamber fixer	5410
104	Burner box	4370
105	Flange board	5414
106	Seal plate B	5413
107	Flame rod retainer	5409
108	Flame rod	4299
109	Flame rod bracket	5400
110	Flame rod packing	4230
111	Burner assembly	3091
112	Seal plate packing	5412
113	Burner box support assembly	5511
114	Burner box packing	4231
115	Combustion chamber cover	5841
116	Damper primary air guide	5512
117	Secondary air damper LPG	4267
117	Secondary air damper NG	4238
118	Fitting plate packing	5430
119	Manifold	5842
120	Injector 1.25 NG	5420
120	Injector 0.82 LPG	5521
121	Manifold packing	5428
122	Electrode retainer bracket	5843
123	Double electrode	5844
124	Electrode packing	5845
125	Gas control assembly	5433
126	Gas tube assembly	5846
127	O-ring	2389
129	Pressure point	5657

Ref.	Description	Part No.
130	Rubber packing	1732
131	Gas filter	13019
132	Gas inlet	4360
133	Connecting tube retainer	5438
134	Drain pan assembly	5525
156	Test point screw	3564
157	O-ring	2239
713	Electrode sleeve	3395

Energysaver 561FT flued heater

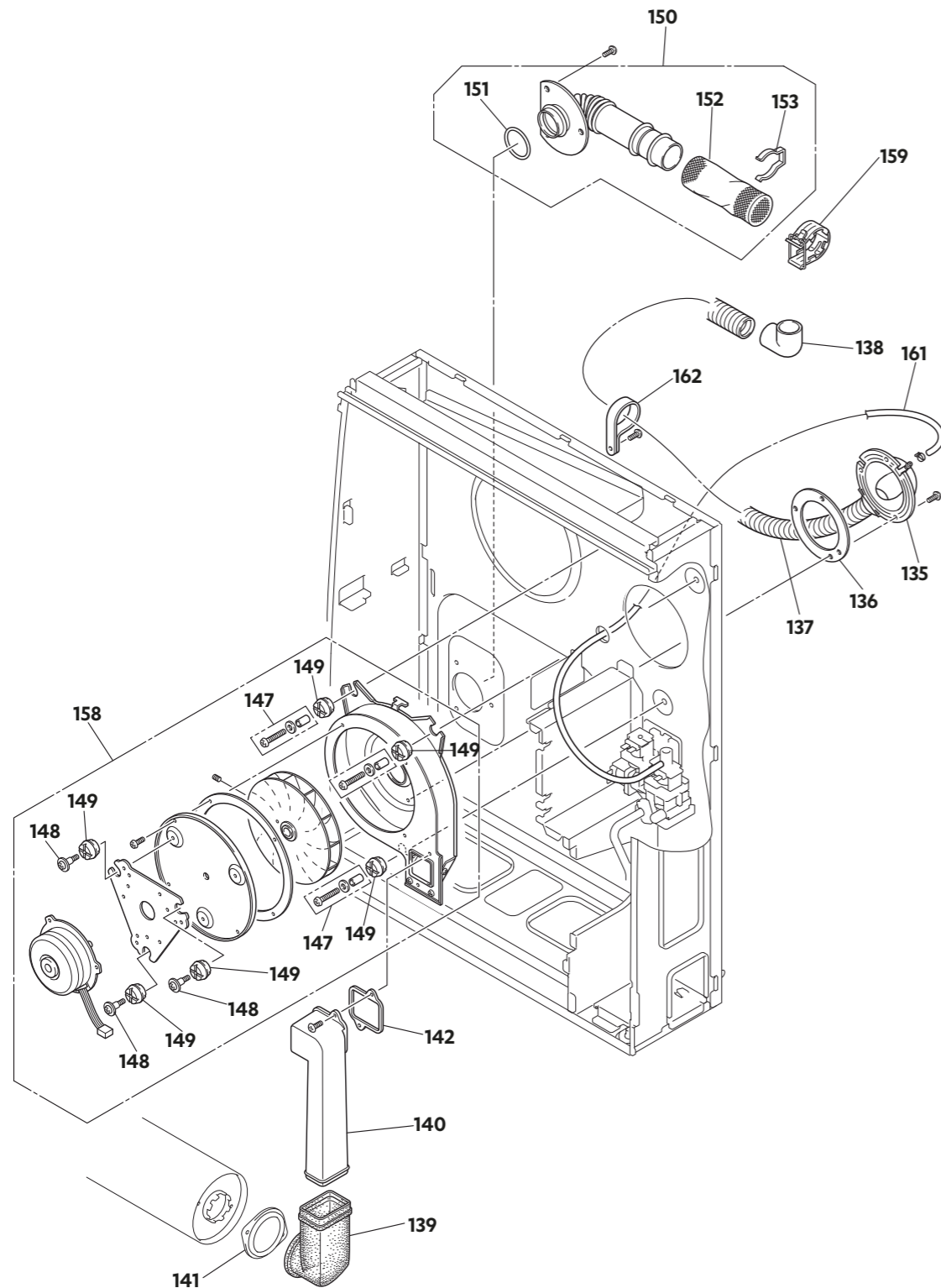
This diagram is provided to assist you to identify parts if replacement is necessary. Contact your place of purchase or the manufacturer to enquire about parts, availability and/or service.



Ref.	Description	Part No.
160	Power supply cord bracket	5390
400	Convection fan assembly	5855
401	Capacitor	5856
402	Convection fan motor	5857
403	Convection fan motor bracket A	5858
404	Convection fan drum	4376
406	Front panel fixer	5442
408	Insulation plate assembly	5860
409	Front panel packing	5443
410	Thermal fuse mounting bracket	5861
412	Wire clip	5541
700	Main PCB	5864
703	Power cord	5866
704	Transformer	5867
715	Thermal fuse harness	13011

Energysaver 561FT flued heater

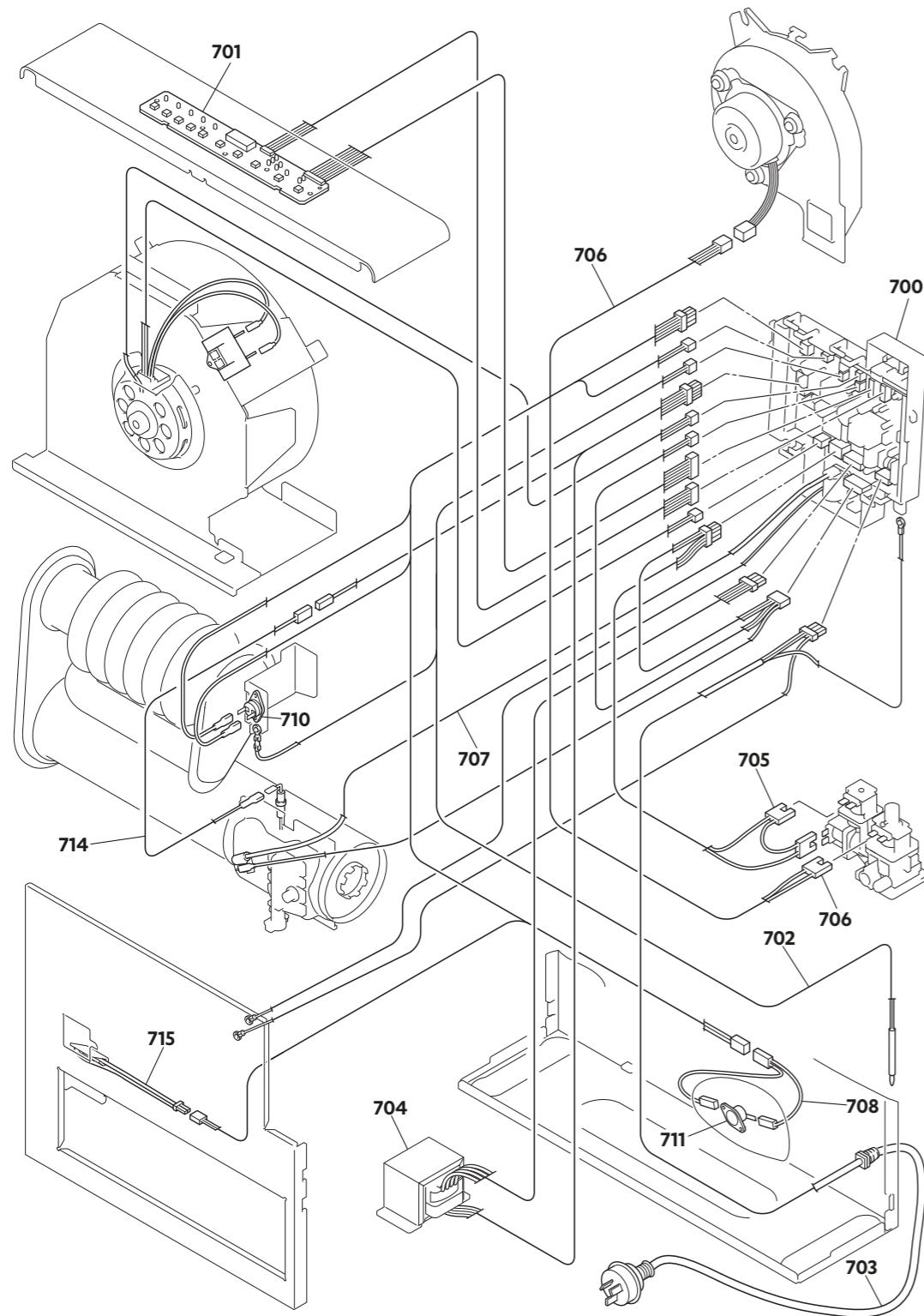
This diagram is provided to assist you to identify parts if replacement is necessary. Contact your place of purchase or the manufacturer to enquire about parts, availability and/or service.



Ref.	Description	Part No.
135	Air inlet A	5451
136	Air inlet packing	4053
137	Inlet hose	4041
138	Air inlet elbow	4040
139	Air inlet connector	5847
140	Air supply pipe	5848
141	Connecting tube fixer	5448
142	Air supply pipe packing	5849
147	Combustion fan mounting screw	5850
148	Screw for combustion fan	10291
149	Mounting rubber	4364
150	Exhaust pipe assembly	5851
151	O-ring 35.5 mm	4037
152	Flue outlet cover	4176
153	Flue clip	4171
158	Combustion fan assembly	5852
159	Flue clamp	3455
161	Pressure tube	5529
162	Clamp	4373
-	Energysaver flue fittings kit	3112

Energysaver 561FT flued heater

This diagram is provided to assist you to identify parts if replacement is necessary. Contact your place of purchase or the manufacturer to enquire about parts, availability and/or service.



Ref.	Description	Part No.
700	Main PCB	5864
701	Control circuit board	5464
702	Room temperature thermistor assembly	5865
703	Power cord	5866
704	Transformer	5867
705	SVIG harness	5868
706	Motor harness	5869
707	High tension lead	5870
708	Overheat switch harness	5871
710	Overheat switch	4385
711	Overheat switch	5872
714	Lead flame rod	5564
715	Thermal fuse harness	5472