

## TECHNICAL PRODUCT INFORMATION

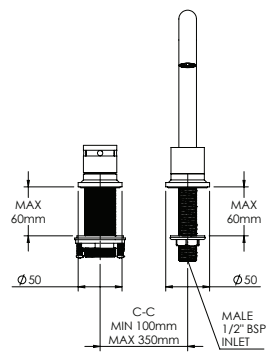
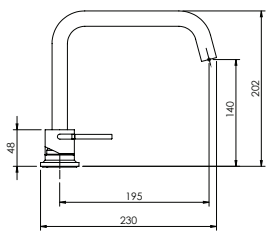
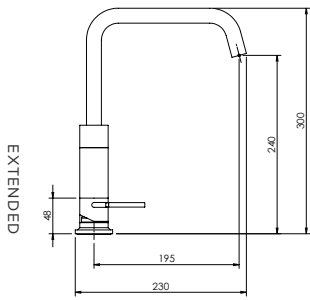
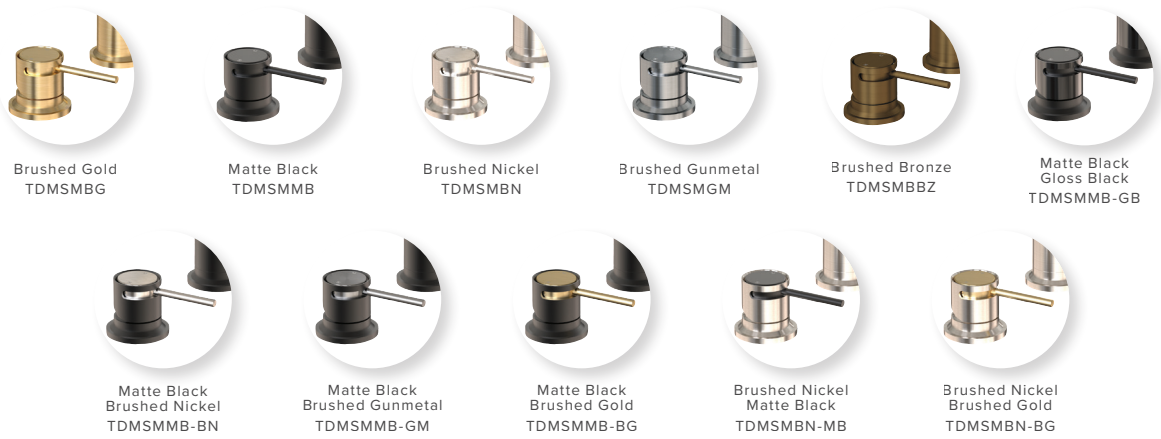
# TATE DECK MOUNTED MIXER

### FEATURES & BENEFITS

- Suitable for mains pressure only (up to 1500kPa)
- 25mm quality European cartridge
- 360° swivel spout
- Can be used as basin, bath or sink mixer
- Supplied with a 100mm extension for optional height increase
- Suitable for left or right-handed installation
- Available in chrome & PVD finishes
- Designed in NZ
- Watermark certified
- 10 year warranty\* & lifetime extension warranty available
- \*5 year limited warranty on product finish



NEW ZEALAND REGISTERED DESIGN NO. 426071, NO. 426072 & NO. 427630



WHEN INSTALLED  
AS BASIN/SINK MIXER