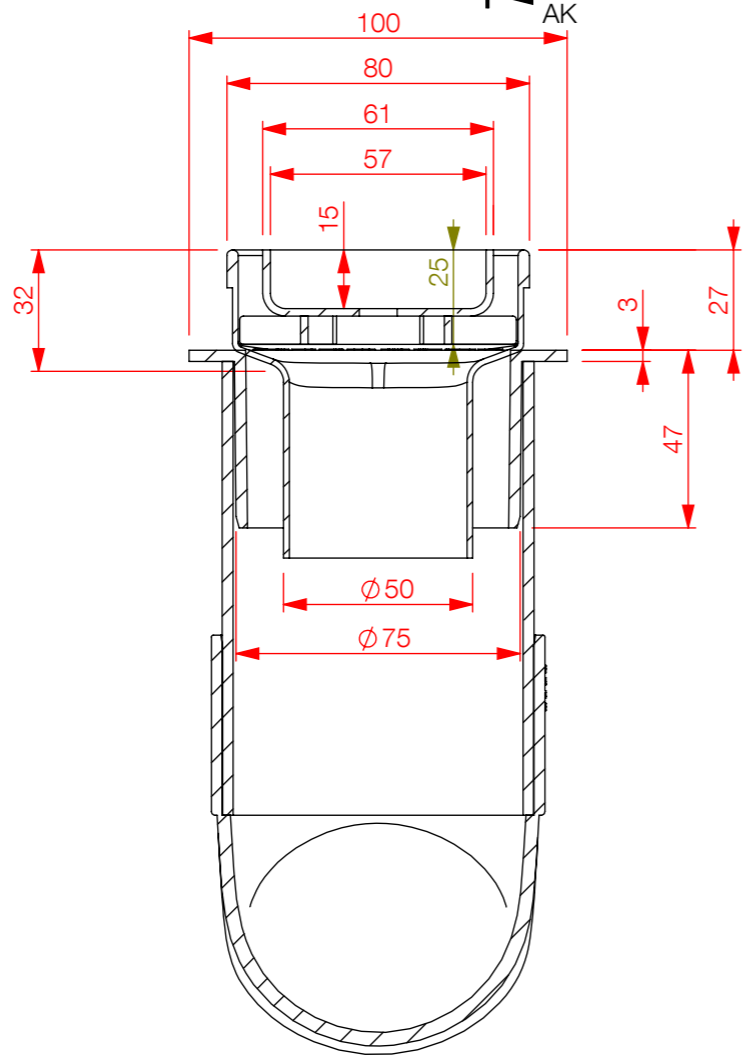
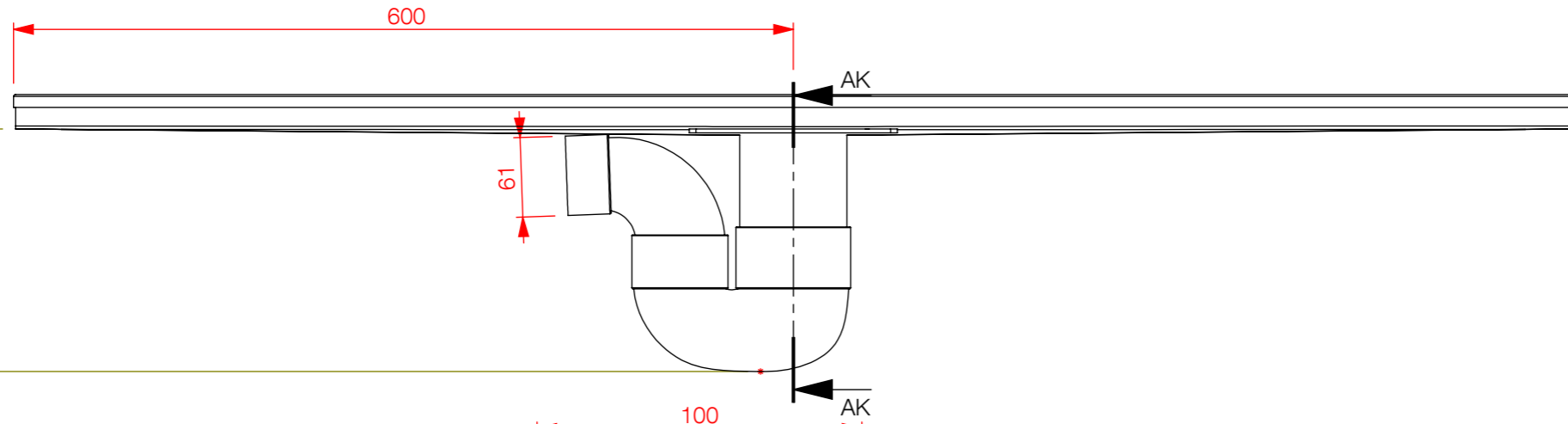
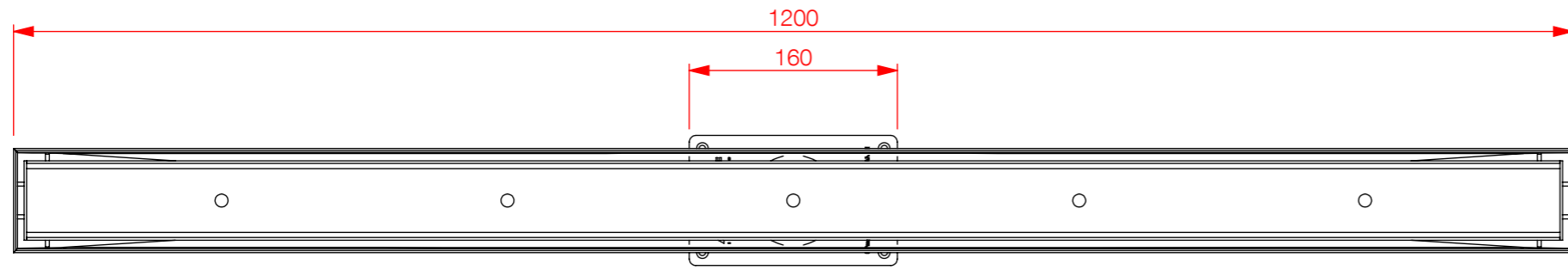
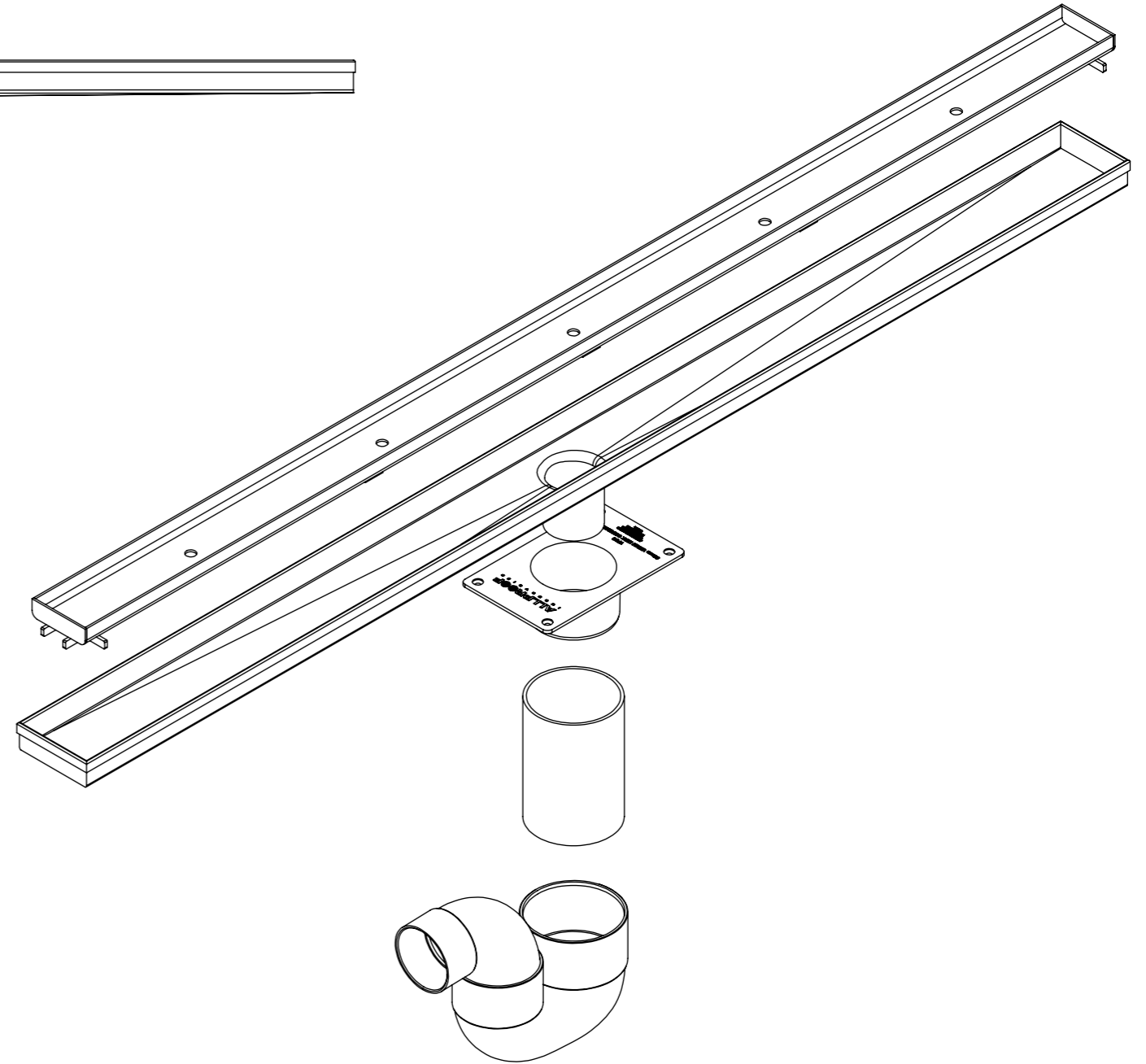


DESCRIPTION	
CODE	FINISH
TKV1200TI	STAINLESS STEEL
TKV1200TI B	POWDER COATED BLACK
TKV1200TI G	GOLD
TKV1200TI CU	COPPER
TKV1200TI ACU	ANTIQUE COPPER



SECTION AK-AK
SCALE 1 : 2



REVISION	CHANGE	DESCRIPTION	SL	DATE
XXX	XXX	XXX	SL	XXX
DO NOT SCALE DRAWING		TITLE		
REQUESTED	DATE	1200mm TILE INSERT CHANNEL SHOWER WASTE KIT WITH FWG		
XXX	XXX			
DRAWN	DATE	APPLICABLE STANDARD(S):		
S.L.	XXX			
APPROVED	DATE	DRAWING REF NUMBER		
		TKV1200TI		
MATERIAL		DRAWING REF NUMBER		
XXX		TKV1200TI		
TOOL NUMBER		SCALE (UOS)		SHEET 8 OF 10
0.0		1 : 5		
PART WEIGHT(GRAMS)		UNITS = MM		
0.0				
FILE				
S/CAD FILES/2017/DIVERSE/TKV				

DISCLAIMER : THE DESIGN SUGGESTION IS PROVIDED FOR EVALUATION PURPOSES ONLY.
IT IS NOT TO BE CONSIDERED A FULL DESIGN AS WE ARE NOT THE CONSULTING ENGINEERS, WE ARE MANUFACTURERS, WE ARE NOT PRIVY TO ALL THE INFORMATION PERTAINING TO THIS MATTER AND WE HAVE NO CONTROL OVER THE PROJECT INSTALLATION OF THE PRODUCT, THE DESIGN SUGGESTION IS PROVIDED WITHOUT OBLIGATION. DESIGN IS TO BE CONFIRMED AND APPROVED BY THE ARCHITECT, HYDRAULICS ENGINEER, OR PROJECT MANAGER. ACCURATE MEASUREMENTS SHOULD BE CONFIRMED BY THE PERSON APPROVING THE DESIGN. ALLPROOF ACCEPTS NO LIABILITY FOR THE IMPROPER USE OF THE DESIGN SUGGESTION.