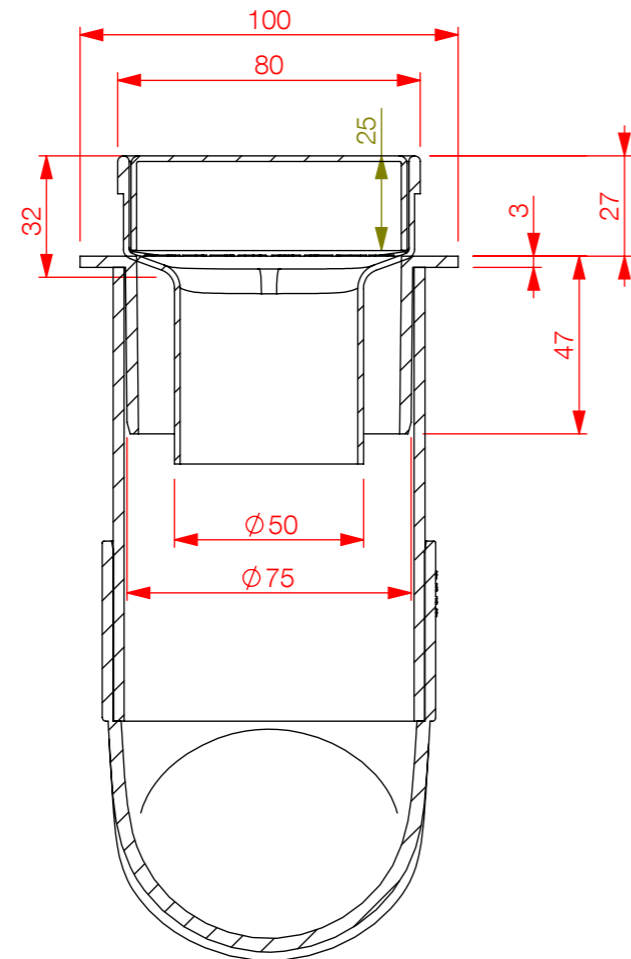
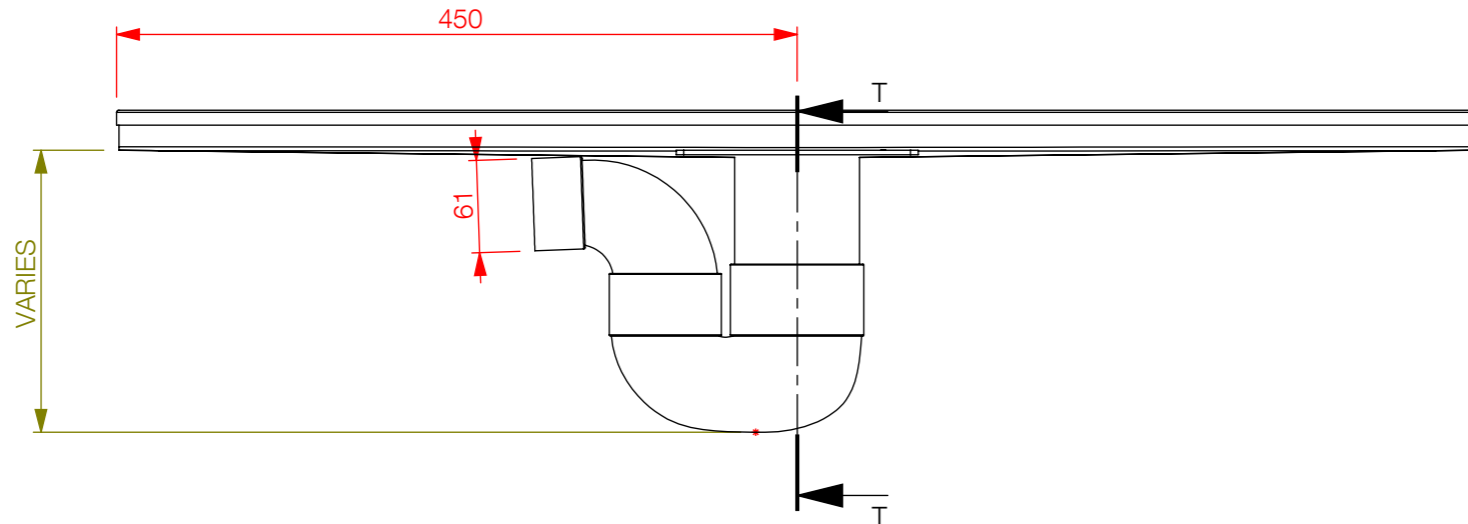
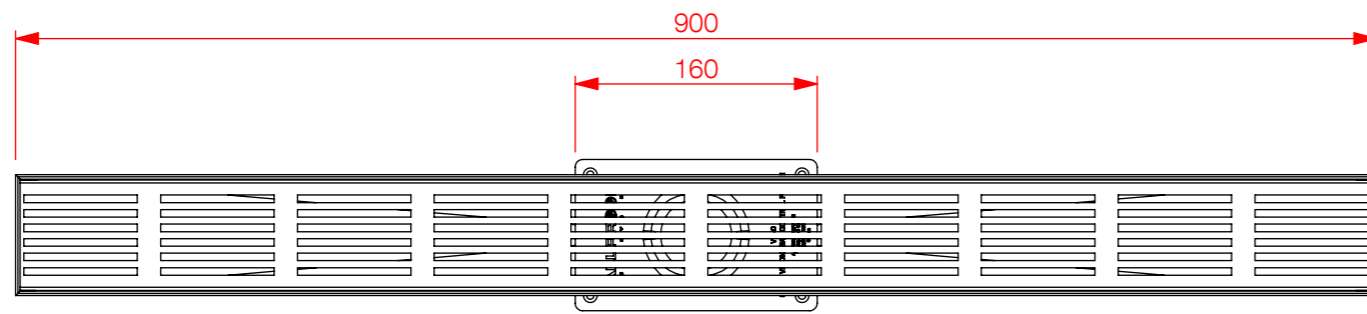
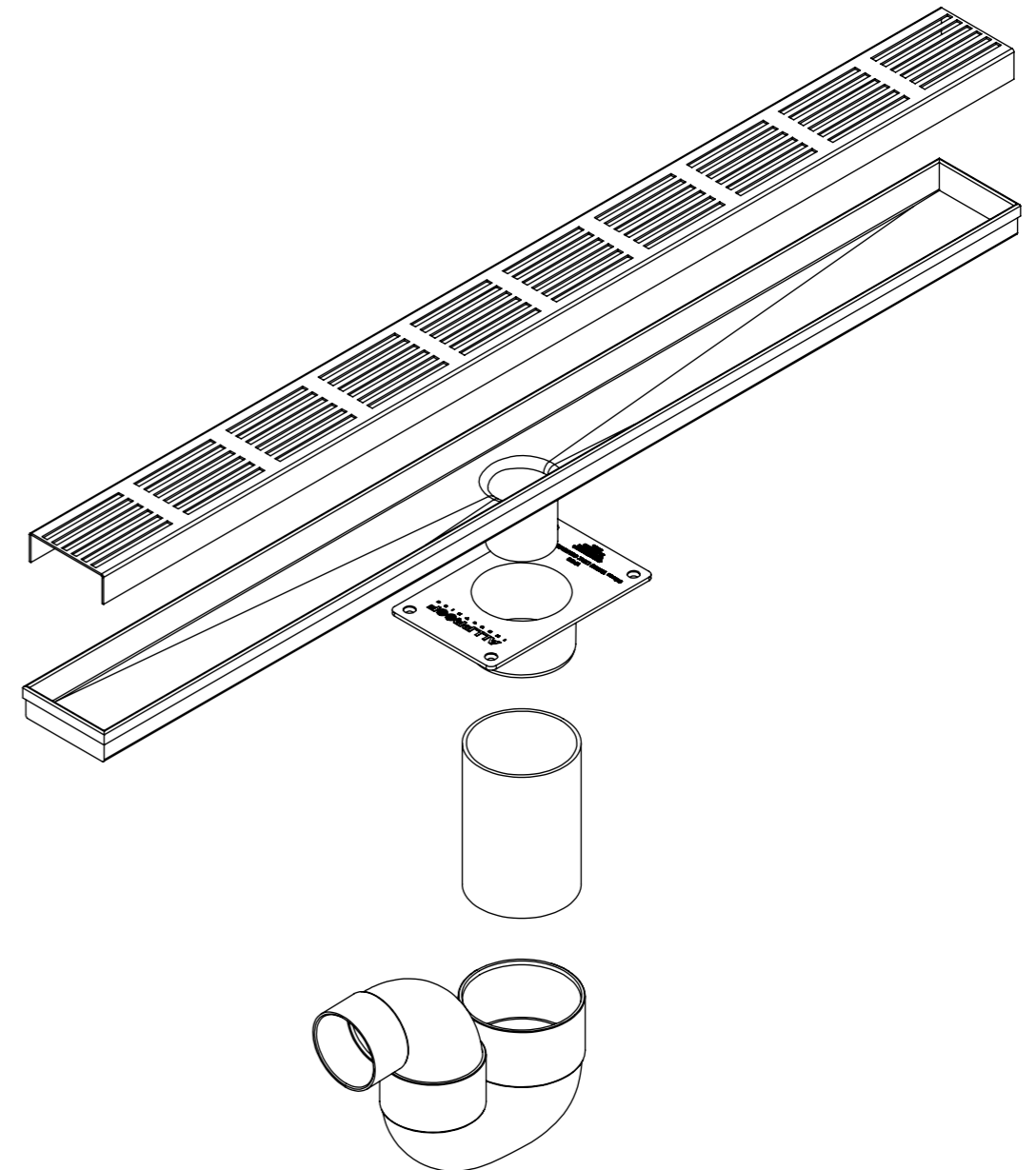


DESCRIPTION	
CODE	FINISH
TKV900V	STAINLESS STEEL
TKV900V B	POWDER COATED BLACK
TKV900V G	GOLD
TKV900V CU	COPPER
TKV900V ACU	ANTIQUÉ COPPER



SECTION T-T
SCALE 1 : 2



REVISION	CHANGE	DESCRIPTION	SL	DATE
XXX	XXX	XXX	SL	XXX
DO NOT SCALE DRAWING		TITLE		
REQUESTED	DATE	900mm VAPOUR CHANNEL SHOWER WASTE KIT WITH FWG		
XXX	XXX			
DRAWN	DATE	APPLICABLE STANDARD(S):		
S.L.	XXX			
APPROVED	DATE	DRAWING REF NUMBER		
MATERIAL				
XXX		SCALE (UOS) 1 : 5		
TOOL NUMBER 0.0				
PART WEIGHT(GRAMS) 0.0		FILE S:\CAD FILES\2017\DIVERSE\TKV		
A3				
FILE S:\CAD FILES\2017\DIVERSE\TKV		SCALE (UOS) 1 : 5		

DISCLAIMER : THE DESIGN SUGGESTION IS PROVIDED FOR EVALUATION PURPOSES ONLY.
IT IS NOT TO BE CONSIDERED A FULL DESIGN AS WE ARE NOT THE CONSULTING ENGINEERS, WE ARE MANUFACTURERS, WE ARE NOT PRIVY TO ALL THE INFORMATION PERTAINING TO THIS MATTER AND WE HAVE NO CONTROL OVER THE PROJECT INSTALLATION OF THE PRODUCT, THE DESIGN SUGGESTION IS PROVIDED WITHOUT OBLIGATION. DESIGN IS TO BE CONFIRMED AND APPROVED BY THE ARCHITECT, HYDRAULICS ENGINEER, OR PROJECT MANAGER. ACCURATE MEASUREMENTS SHOULD BE CONFIRMED BY THE PERSON APPROVING THE DESIGN. ALLPROOF ACCEPTS NO LIABILITY FOR THE IMPROPER USE OF THE DESIGN SUGGESTION.