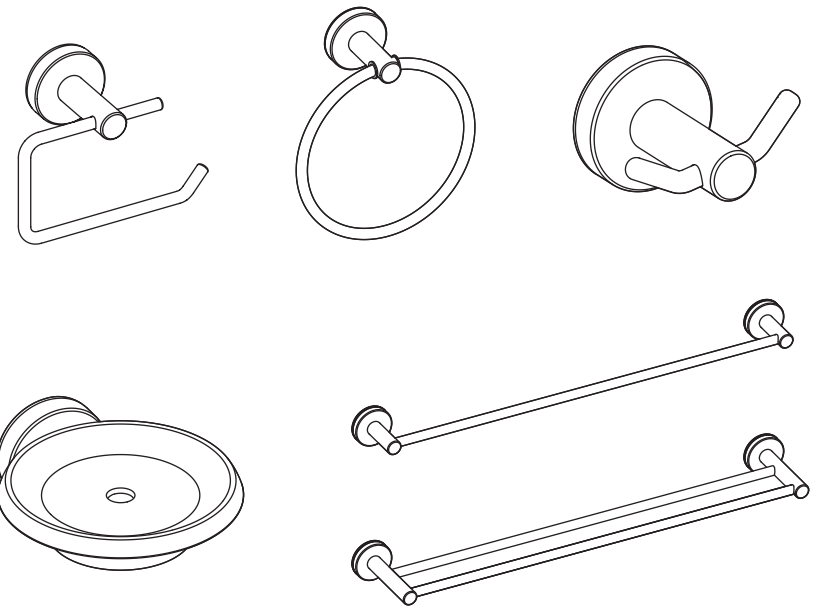


TŪROA ACCESSORIES

Installation Guide

Please refer to your warranty statement at
www.methven.com



Care and Cleaning:

Never use abrasives or abrasive cleaning agents to clean this product. Clean regularly with contamination free warm soapy water and a damp soft cloth.

Methven warrants this product against manufacturing defects and that it is suitable for use under the general operating conditions specified in this instruction sheet. However, regional regulations apply and may affect your warranty. Please refer to www.methven.com or call customer service for full details.

New Zealand
0800 804 222

Australia
1300 638 483

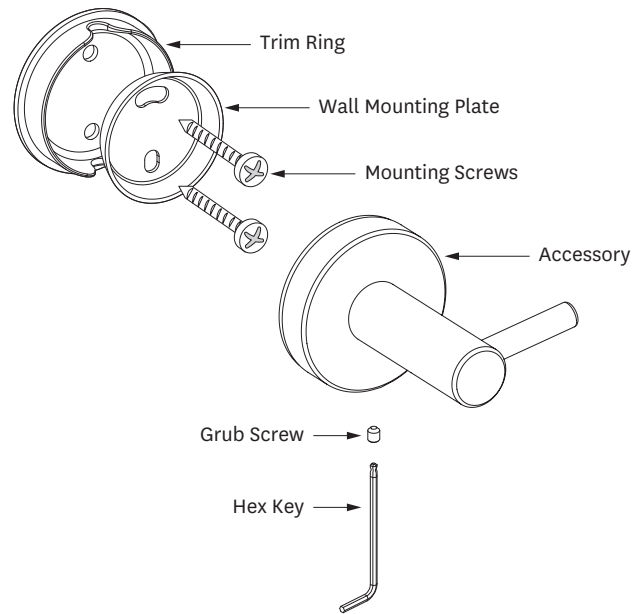
UK
0800 195 1602

435570

ISSUE A

METHVEN
www.methven.com

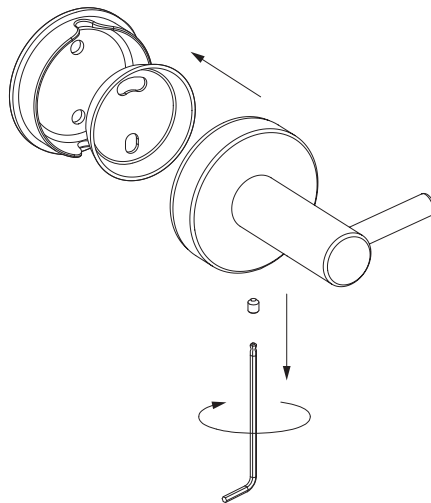
IMPORTANT NOTE: Wall materials vary. The fixing kit supplied is suited for use with a solid wall. For timber framed walls, please ensure the accessory is fixed to a stud/noggin behind the wall. A suitable hollow wall fixing should be used if a stud/noggin is not available.



Installation:

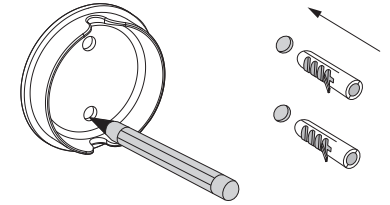
Step 1

- Position your accessory in the desired mounting location. Ensure the accessory is level and mark the location by scribing a circle around the trim ring(s).
- Remove the trim ring(s) and wall mounting plate(s) from the accessory by loosening the grub screw(s) underneath.



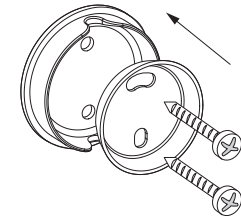
Step 2

- Using the trim ring as guide, mark the location of the screw holes. Ensure the holes are aligned vertically.
- Drill mounting holes - Note: Drill type and size will depend on wall construction. A 6mm hole is recommended for the wall plugs supplied.
- Insert the wall plugs into the drilled holes if required. Use a mallet to gently tap the plugs in until flush with the wall surface if necessary.



Step 3

- Insert the wall mounting plate into the trim ring, and screw both to the wall. Check that the trim ring is flush against the wall.



Step 4

- Push the accessory onto the trim ring(s) and check the accessory is level. Loosen the screws and adjust the mounting plate position if required.
- Tighten grub screw(s) firmly with hex key provided.

