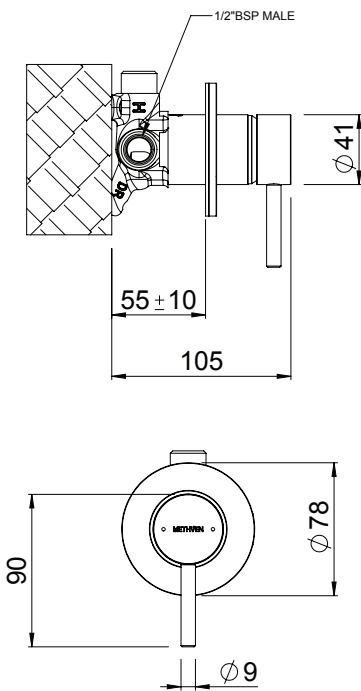


## TŪROA SHOWER MIXER

### STAINLESS STEEL AND LEAD FREE BRASS

These high quality, high strength, corrosion resistant materials are lead free, therefore preserving water quality for both consumption and bathing.



**CONSTRUCTION:** Stainless steel, brass and plastic  
**CARTRIDGE TYPE:** Ceramic  
**CLASSIFICATION:** Suitable for mains/high pressure only  
**INLET CONNECTIONS:** 1/2" BSP Male  
**OUTLET CONNECTIONS:** 1/2" BSP Male  
**WORKING PRESSURE:** 150 - 1000kPa  
**OPERATING TEMPERATURE:** 5 °C - 80 °C

- Stainless steel and lead free brass
- Modern minimalist aesthetic
- Ceramic cartridge
- 20mm of installation tolerance
- Built to last

TUHPSSS

Stainless Steel

<http://www.methven.com/nz/turoa-shower-mixer>