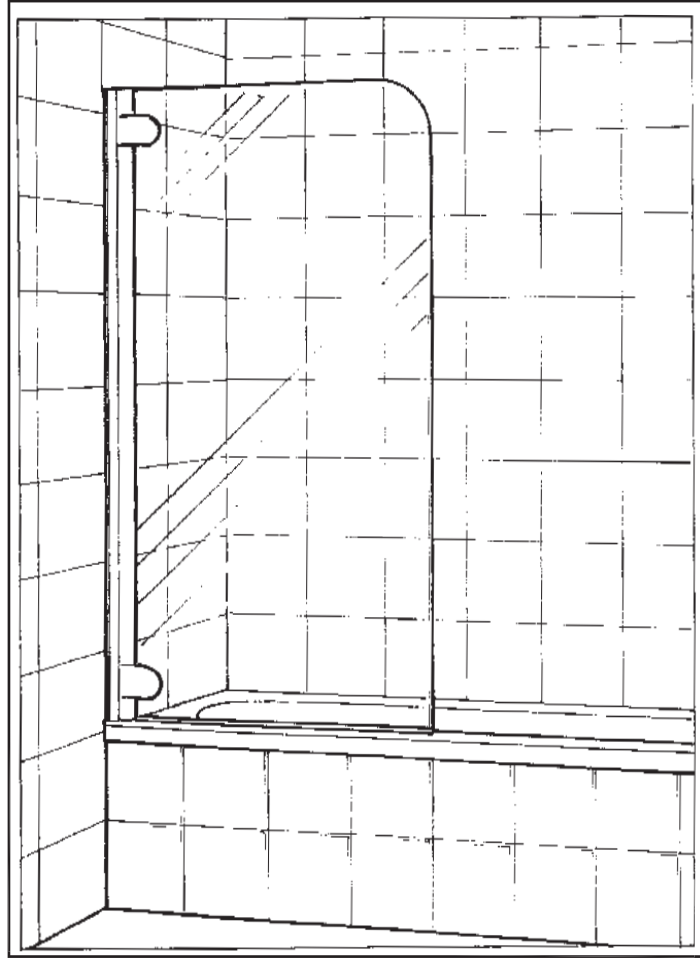




# PREMIUM GLASS BATH SCREEN

## INSTALLATION GUIDE



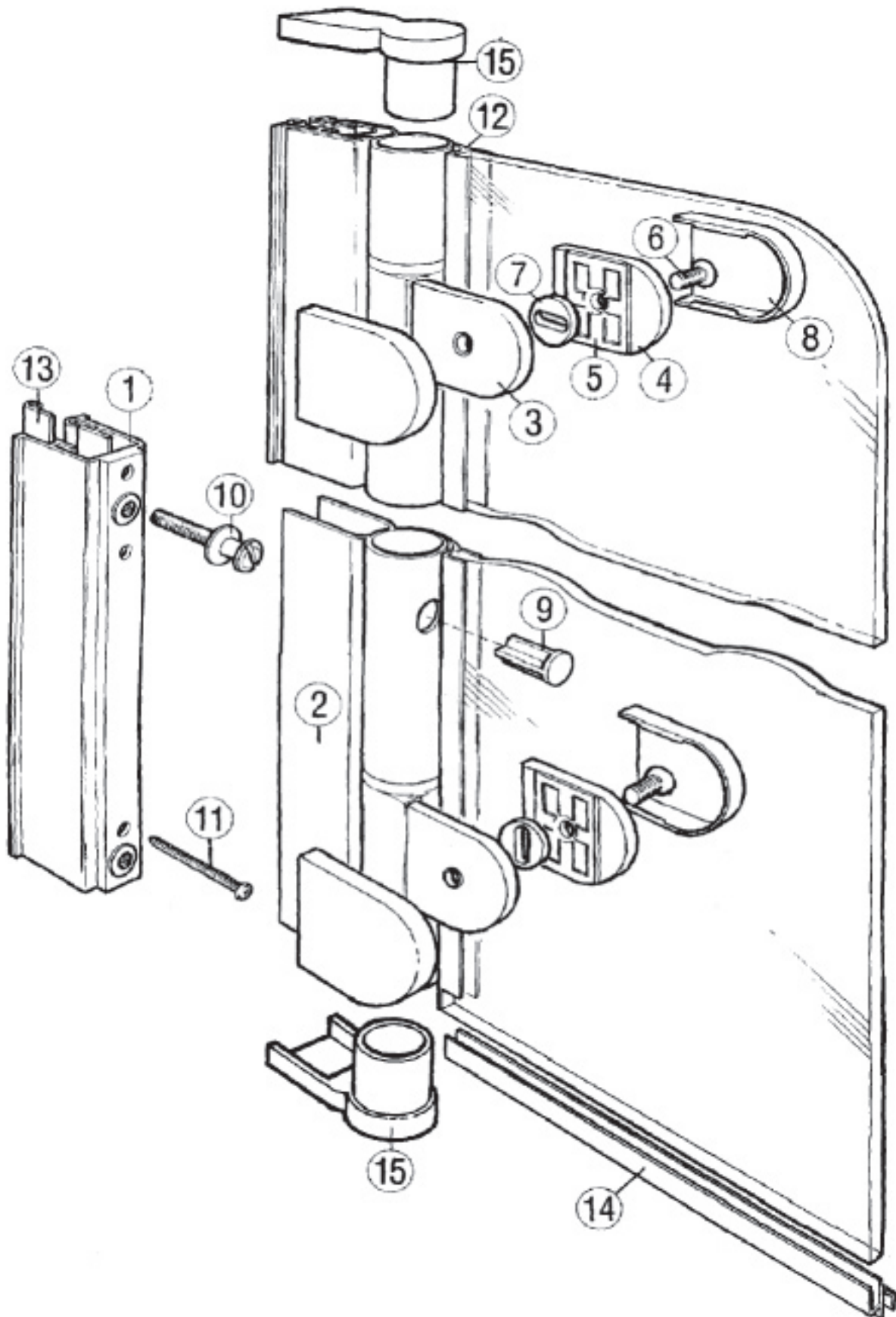
Bath screens must be installed in situations where the floor of the bathroom has a waterproof membrane installed.  
For New Zealand, the bath screen must be installed in accordance with NZBC E3/AS1 clause 3.1.1.  
For other countries, the bath screen must be installed in accordance with local building codes.

**NOTE:**

- A floor waste is recommended.
- Do not install in bathrooms where the floor is carpeted.

**IMPORTANT**  
**READ ALL INSTRUCTIONS CAREFULLY**  
**BEFORE STARTING**  
**THE INSTALLATION**  
Failure to comply  
may void warranty

# Parts List - Exploded View



# PARTS LIST - BATH SCREEN

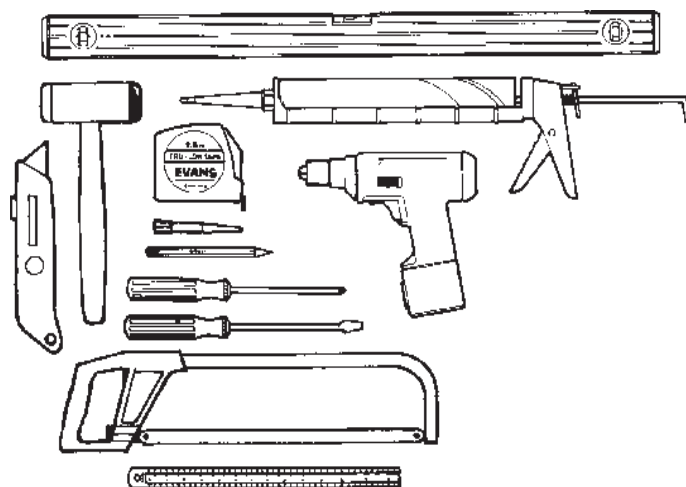
NOTE: WHEN ORDERING, THE FOLLOWING INFORMATION IS ALWAYS REQUIRED: WIDTH OF ENCLOSURE, COLOUR.

ITEM NO.	PART NO.	DESCRIPTION	ITEM NO.	PART NO.	DESCRIPTION
1	Q6080XX	Door Hinge Post Retainer	9	Q6334XX	Hinge Post Screw Plug
2	Q6090XX	Door Hinge Post	10	Q633250	Hinge Post Adjuster S/S
3	Q6150XX	Hinge Body	11	Q910100	Screw 8 x 65 Pan Head
4	Q6155XX	Hinge Inner	12	Q634045	Seal Door Edge
5	Q633200	Hinge Pad	13	Q634080	Seal Wall
6	Q912325	Screw M8 x 16	14	Q634060	Seal Drip Edge
7	Q616000	Slotted Nylon Bush	15	Q6356XX	Top/Bottom Cap Hinge Post
8	Q6338XX	Hinge Covers			

## TOOLS AND MATERIALS REQUIRED

### Tools required

- Level
- Tape
- Pencil
- Flat blade screwdriver
- Philips screwdriver
- Ruler
- Drill
- Centre-punch
- Hacksaw
- Soft hammer/mallet
- Caulking gun
- Stanley knife

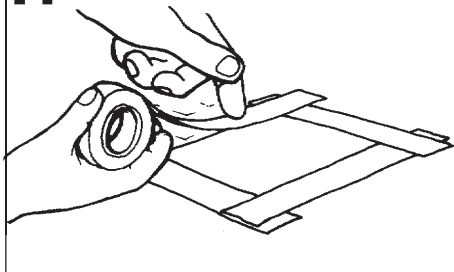


The recommended sealants are:

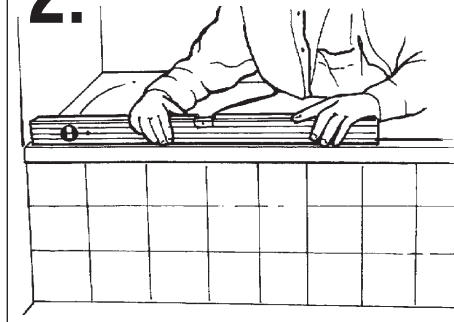
- Sikasil Wet Areas
- Selley Wet Area
- Sika Silaflex RTV (Clear) + primer pen

**CAUTION: BEFORE DRILLING HOLES ENSURE THERE ARE NO ELECTRIC CABLES OR WATER PIPES BEHIND WALLS. DRILLING INTO THESE CAN ENDANGER LIFE AND PROPERTY.**

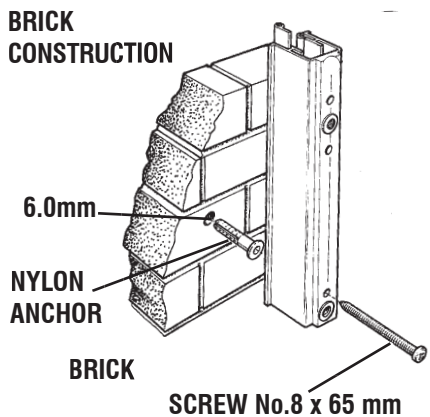
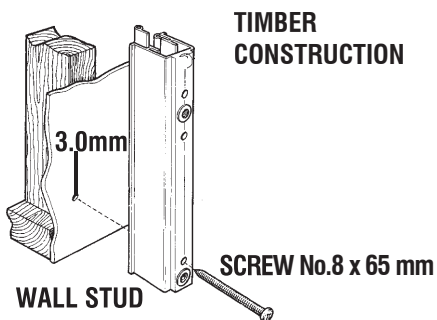
**1.** Tape over waste outlet.



**2.** Bath **MUST** be installed level.

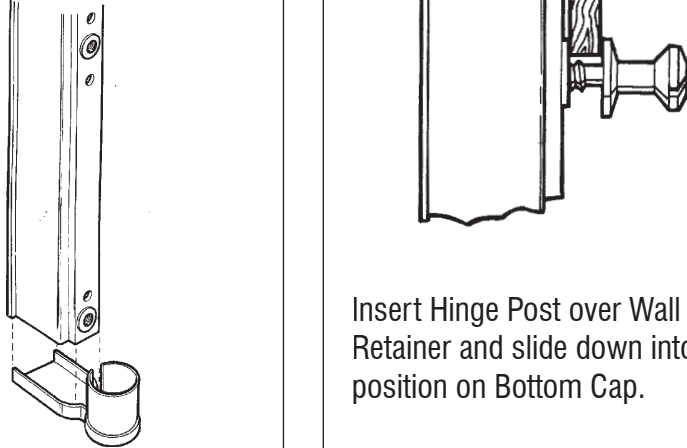


**3.** Ensure Hinge Post Retainer profile is plumb. Anchor Hinge Post Retainer into wall stud for maximum support.

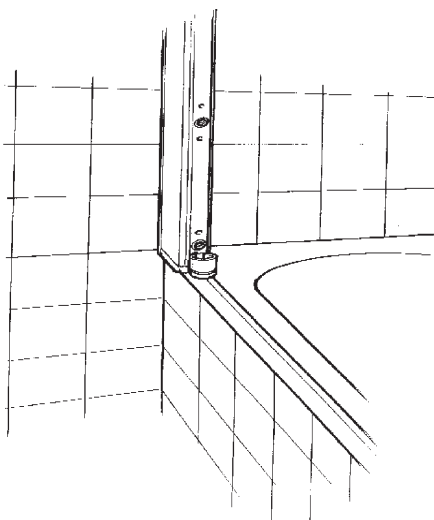


**CAUTION: Fixing the retainer only to the backboard may void warranty as a backboard by itself is not able to provide enough support for the bath screen.**

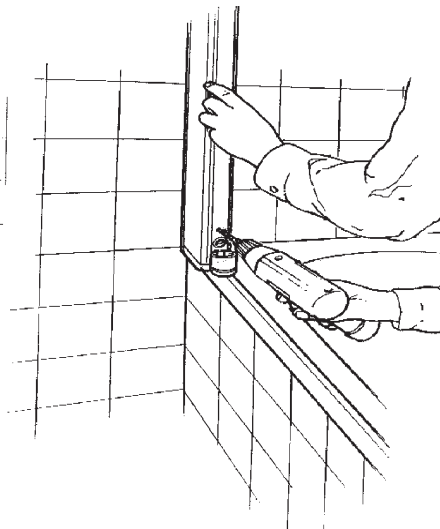
Fit Bottom Cap to Hinge Post Retainer.



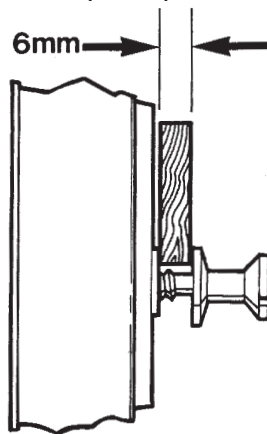
Position Hinge Post retainer central on top of bath Tiling Bead.



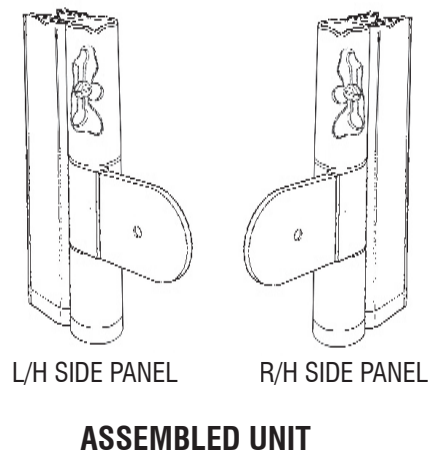
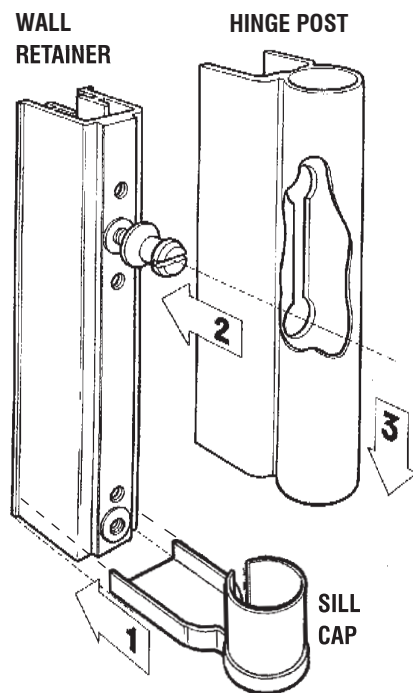
Using a 3mm drill bit, mark position of holes on wall through extrusion. Fix with Screw No.8 x 65mm.



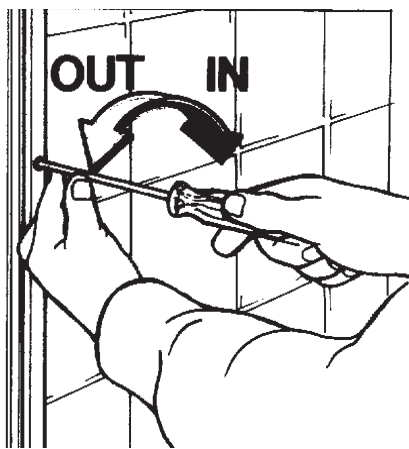
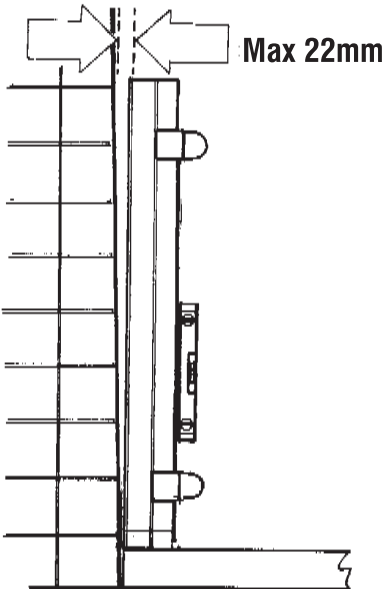
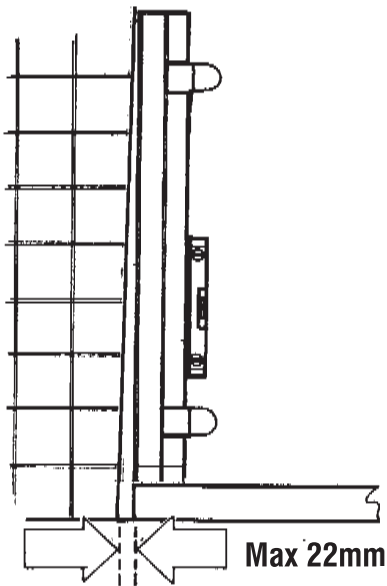
**4.** Set adjusting screws using 6mm spacer provided.



Insert Hinge Post over Wall Retainer and slide down into position on Bottom Cap.

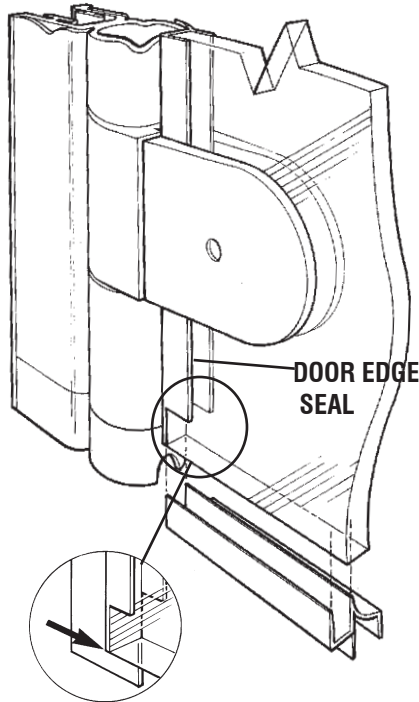


- 5.** For “out-of-true” walls, level Hinge Post using adjusting screws.



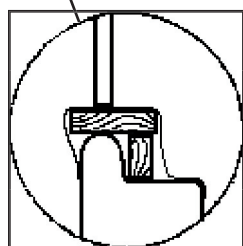
**IMPORTANT: ADJUSTMENT SCREWS MUST BE ADJUSTED IN SEQUENCE TO AVOID DISTORTION OF HINGE POST.**

- 6.** Position Door Edge Seal.



**IMPORTANT: ENSURE BOTTOM OF DOOR EDGE SEAL IS CORRECTLY FITTED AS SHOWN.**

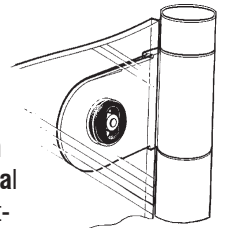
- 7.** Position glass by taping the spacer supplied to the bath as shown below. Level top of glass with top cap.  
**CAUTION:** Care must be taken to avoid cross-threading the cap screws in the Hinge Plate.



- 8.** On the inside of the Hinge Post, fit slotted plastic bush through the hole in the glass.

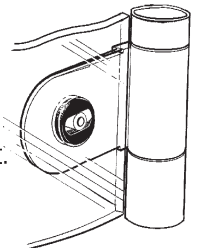
**IMPORTANT**

Ensure that the slot in the top bush is **vertical** and the slot in the bottom bush is **horizontal**.



TOP HINGE

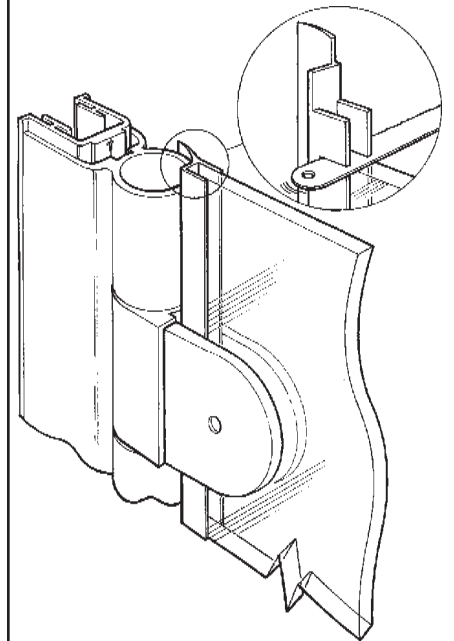
Using M8 CSK screw attach Inner Hinge Plate.  
**NOTE:** Fix top hinge first.



BOTTOM HINGE

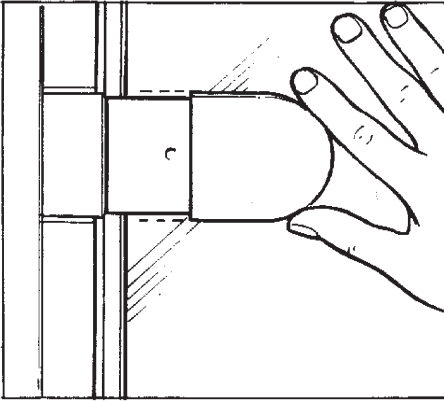
Tighten screws firmly to secure glass.

- 9.** Trim the top of the Door Edge Seal flush with the glass.



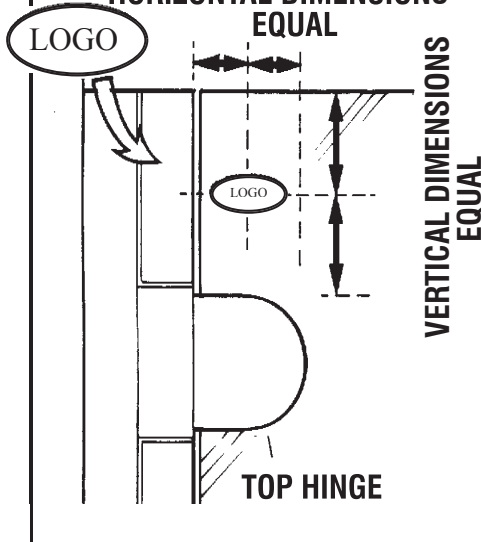
- 10.** Fit Top Cap in place using silicone and tape down.

**11.** Slide on the. four Hinge Covers.

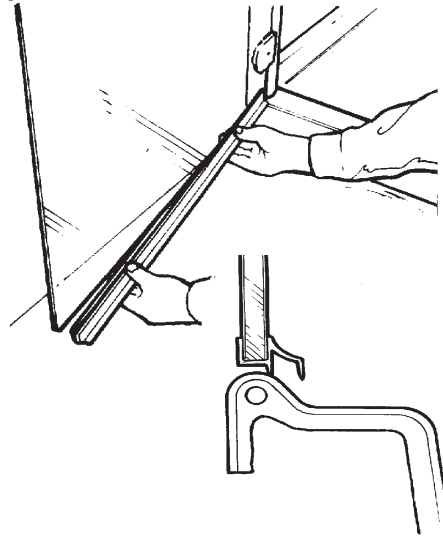


Position the logo as shown after door installation. One logo on the front of the door and one on the reverse.

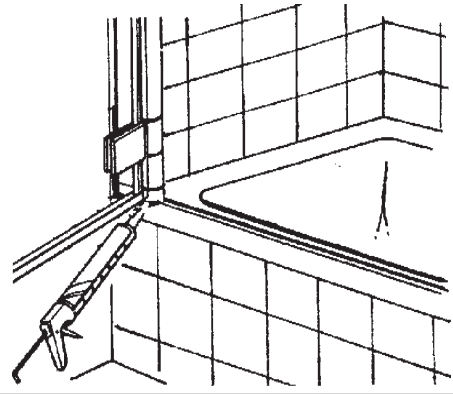
**HORIZONTAL DIMENSIONS EQUAL**



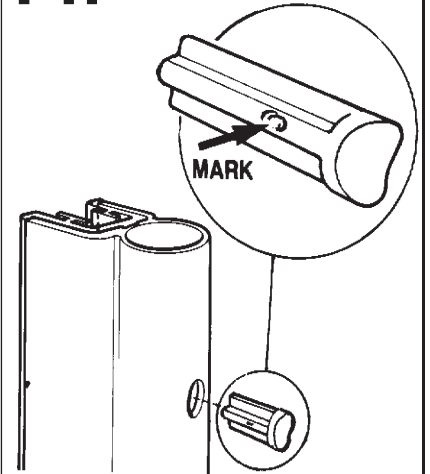
**12.** Attach Door Drip Edge Seal.



**13.** Using recommended Sealant, seal full height between walls and Wall Retainer Profiles, and all other exterior joins.



**14.** Fit Screw Plugs



**IMPORTANT: NOTE ORIENTATION OF SCREW PLUG HEAD. MARK SHOULD BE LOCATED TO SIDE AS SHOWN.**

**IMPORTANT**  
SEALANT SHOULD BE APPLIED TO ALL OUTSIDE JOINTS - DO NOT SEAL FROM INSIDE.

Follow the sealant manufacturer's directions. Some sealants may require the use of a primer.

**KOHLER®**

CALL US FOR HELP

**NEW ZEALAND**

KOHLER NZ Ltd.

Ph 0800 100 382

Fax 0800 664 488

www.inglefield.co.nz

**AUSTRALIA**

KOHLER Co.

Ph 1300 362 284

Fax 1300 652 284

www.inglefield.com

All rights reserved to alter designs and specifications without notice.  
WARNING: Products in this leaflet are subject to Industrial Property Protection. All dimensions given are approximate only.