



## STORM High Rise Basin Mixer VST22



### TECHNICAL DETAILS

1/2" (15mm) Inlet

All Pressures

Max. Pressure 500kPa

Min. Pressure 35kPa

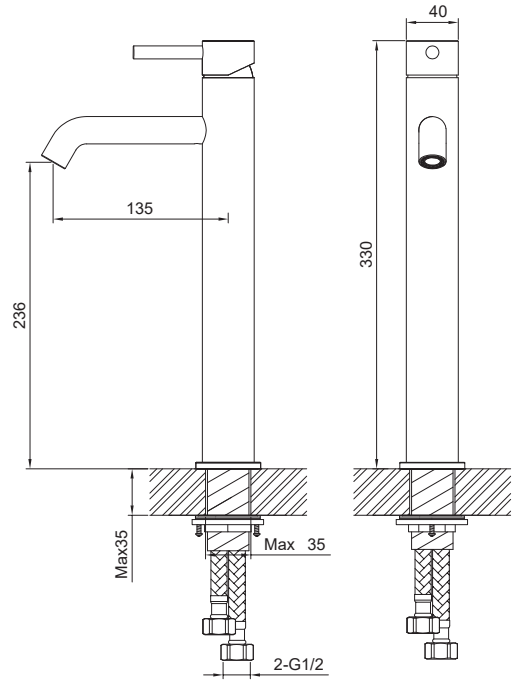
Max. Temp 65deg.C

WELs Rating: Mains 5 Star; 5.0L/min

Low/Unequal 4 Star; 6.0L/min

Spout Reach: 135mm

Spout Height: 236mm



FINISH	CODE
BRUSHED COPPER (PVD)	VST22BCU
BRUSHED GUNMETAL (PVD)	VST22BG
CHROME	VST22CH
STAINLESS STEEL	VST22SS