

# STRATA

SINGLE BAR TOWEL WARMERS

HEIRLOOM  
heirloom.co.nz

Single bar warmers, are the flexible innovation in towel warmer design. They allow you to design your own warmer display and give you the choice of exactly how many rungs you'd prefer and how you'd like them laid out. The Strata range with concealed wiring delivers design-driven styles; round, square, slat and linear or curved, a style to match every bathroom.

## Genesis



## Studio 1



## Studio 1 Curved



## Loft



## Heiko



## Annex



### Strata Genesis 860

Size 860 x 100 x 32  
Stainless Steel WGS860  
Black (Nero) WGS860N  
Brushed Nickel WGS860BN  
Gunmetal WGS860GM

### Strata Genesis 632

Size 632 x 100 x 40  
Stainless Steel WGS632  
Black (Nero) WGS632N  
Brushed Nickel WGS632BN  
Gunmetal WGS632GM

### Strata Genesis 460

Size 460 x 100 x 32  
Stainless Steel WGS460

### Strata Studio 1 860

Size 860 x 100  
Profile 40 x 20  
Stainless Steel WSS860  
Black (Noir) WSS860N  
Brushed Nickel WSS860BN  
Gunmetal WSS860GM

### Strata Studio 1 632

Size 632 x 100  
Profile 40 x 20  
Stainless Steel WSS632  
Black (Noir) WSS632N  
Brushed Nickel WSS632BN  
Gunmetal WSS632GM

### Strata Studio 1 460

Size 460 x 100  
Profile 40 x 20  
Stainless Steel WSS460  
Black (Noir) WSS460N

### Strata Studio 1 700 Curved

Size 700 x 100  
Profile 40 x 20  
Stainless Steel WSSC700

### Strata Loft 690

Size 690 x 75  
Profile 50 x 10  
Stainless Steel WLS690  
Black (Noir) WLS690N

### Strata Heiko 690

Size 690 x 100 x 45  
Stainless Steel WHS690  
Black (Noir) WHS690N

### Strata Annex 632

Size 632 x 70 x 50  
Stainless Steel WAS632

### Strata Annex 860

Size 860 x 70 x 50  
Stainless Steel WAS860



## INSTALLATION INSTRUCTIONS

### SAFETY FIRST

The appliance is a towel warmer and therefore should be used only for that purpose. It should not be used by children or by anyone with mental, physical, or sensory impediments, or lack of knowledge of the appliance, unless they are under the supervision of those responsible for their welfare and safety.

Children must not use this appliance as a play thing.

This towel rail is designed to warm towels only. Therefore it is a constant heat and hot to the touch.

Note: for the safety of young children, the lowest rail should not be lower than 600mm from the floor.

There are no user-serviceable parts. Should you require service or repair it must be undertaken by an authorised electrician and Heirloom must be contacted in the first instance, so as to not void warranty.

### ELECTRICAL COMPLIANCE

This Strata towel warmer system must be installed by a registered electrician. Work with your electrician to determine the optimum position.

When locating these warmers, allow a minimum 50mm clearance to surrounding surfaces.

The transformer (sold separately), must be positioned in a ceiling cavity, not covered by insulating substances (e.g. batts) a wall cavity, or cupboard or a dry accessible place. Do not position the transformer more than 2 metres from the rail.

For your safety, an isolating switch or power disconnection means must be installed and comply with wiring safety guidelines AS/NZ3000 wiring rules.

Correct use of the crimp connectors and heat shrink for this warmer system, is required for IP47 compliance.

Heirloom Strata towel warmers are compliant with the Australasian Standard AS/NZ60335, for positioning in bathroom zone1, the area near baths and showers.

**The transformer is for indoor use only. Refer to table 1 for transformer requirements. Strata towel warmers are designed to be installed with Heirloom WTS12 transformer only. (See table 1 over page). Using other power supplies will void warranty.**

### SITE PREPARATION

Strata warmer rails may be installed on to any wall type – timber or steel stud, solid or cavity masonry or concrete.

Note: DO NOT attempt to fix the warmer units to plaster board or cement board. These substrates alone are not sufficiently strong to support rails. A strong support substrate (structure) must be in place before installation.

On stud walls, once the position of the rails has been determined, extra studs or nogs may need to be installed to ensure secure fixing points for all legs.

If no framing structure is suitable, you may cover a larger area with 18mm ply for secure fixing.

## INSTALLATION INSTRUCTIONS

### PRE-WIRING

#### For wood or steel framing

Clearly mark on the studs, where all the rail feet will be positioned.  
 Choose which side of the warmer you want the power cable to go to the rail.  
 Determine the position for the transformer, farthest distance from wet areas is best. (Refer to "Electrical Compliance")  
 The wiring will normally run vertically between nogs to line up with the warmer foot position. Drill two holes 10 -12mm diameter at right angles so that one breaks in to the other. Pass plastic tube through hole and this will assist wire being installed. Pass low voltage power cable to each foot position chosen for connection. Looping wire to provide a continuous power source between each foot. (See fig1)

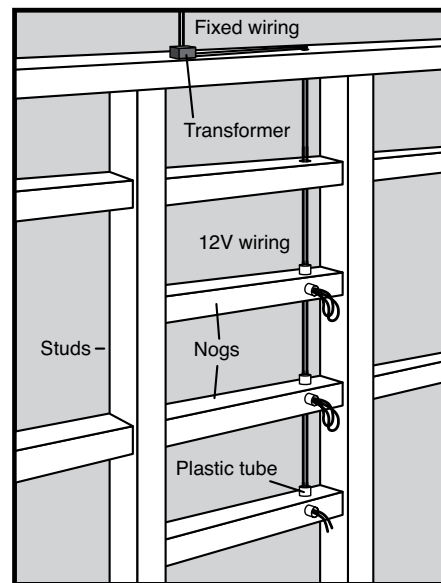


Figure 1

#### For masonry walls

Use a masonry saw or disc grinder with a masonry disc, to cut a continuous groove 25mm deep, between the Strata towel warmer foot positions for wire entry and the transformer position. (see fig 2)  
 Insert low voltage power cable (not supplied) into the groove and at each foot position make a loop of cable protruding approximately 150mm out from the groove. (see fig 3). Low voltage power cable (not supplied) is required to connect the transformer with the Strata rails that the transformer will supply.  
 Cement render over the groove to conceal the power cable, making sure that the loops are protruding from the groove, to allow for electrical connection.

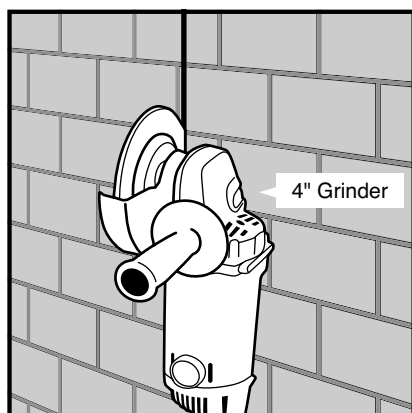


Figure 2

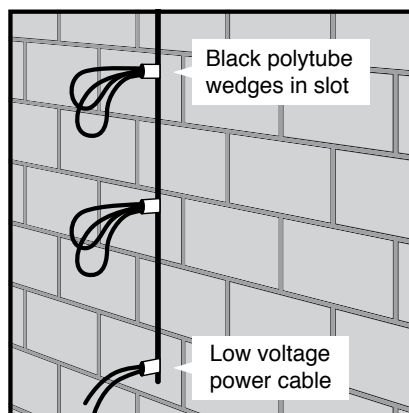


Figure 3

### Strata Transformers

Length	Units per transformer
460	4
632, 690, 700	4
860	3

Table 1

## INSTALLATION INSTRUCTIONS

### CONNECTING STRATA RAILS

#### IMPORTANT

Strata rails are manufactured with two elements. Only one element must be connected. The tails of the unused element must be cut off.

**NOTE: FOR HEIKO WHS690** drill 12.5mm hole for nylon mounting barrel on side for wiring. (see fig 6)

Attach the Strata towel warmer wall mounts to the wall using the long screws supplied. Secure firmly. Use a Strata rail as a positioning guide for the screws. Use a spirit level to ensure horizontal accuracy. Connect the towel rail to the power wire using the crimp sleeve and heat shrink supplied, to maintain IP47 compliance.

Relocate excess wire and the connectors back into the rail foot or wall.

Last step, firmly fix the towel rail into position, using the grub screw and allen key supplied.

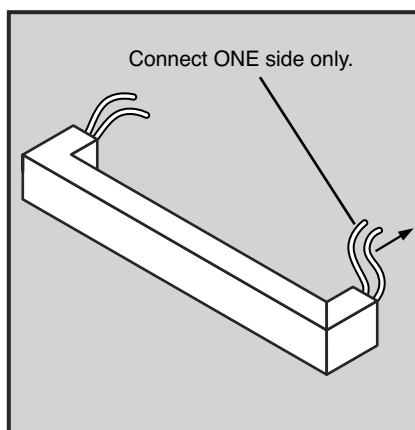


Figure 4

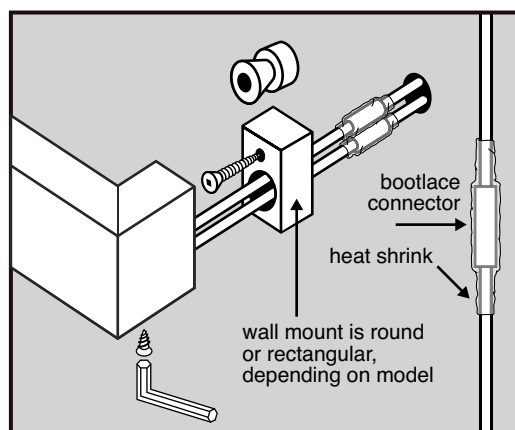


Figure 5

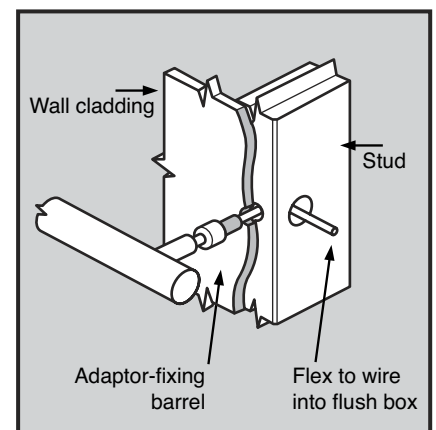


Figure 6. Heiko model only.

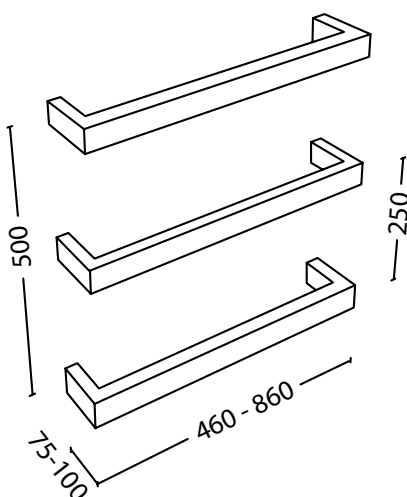


Figure 7

#### WALL SPACING Fig 7

Side wall clearance minimum 50mm  
Minimum 600mm from floor  
Minimum 250mm from ceiling  
Typical 250mm spacing between rails

#### ISOLATION SWITCH

There must be a separate switch in the bathroom solely for the Strata warmer power supply, so that it can be independently isolated from the main electricity supply. This can be incorporated into a "gang" switch plate along with other switches, eg. lights.

# STRATA

## SINGLE BAR TOWEL WARMERS



### COMPONENTS

- 1 x Strata Rail
- 1 x Wall mount pack – stainless steel screws 60 x 8G x 2, wall plugs, allen key
- 1 x Termination pack – bootlace crimps x 2, heat shrink 40mm x 4.8mm 2pcs, clear tube 8mm x 75mm
- 1 x Nylon mounting barrel (Heiko WHS690 only)

### SPECIFICATIONS

Recommended use	Residential and Commercial	Power entry	Dual element (left or right element)
Construction materials	Stainless steel	Power Supply	12 VAC (WTS12-100 SELV safety transformer sold separately)
Finish	Polished Stainless, Black Brushed Nickel, Gunmetal	Standards	AS/NZS60335.2.43
Element	Replaceable (By Heirloom)	IP rating	IP47

**Note: Strata towel warmers are dual element. Only one (1) side is to be connected.**

### CARE AND CLEANING

The finish of your Strata towel warmer is hard wearing and easily maintained. Clean regularly with a soft cloth and non-abrasive cleaning agent

With Heirloom towel warmers you get these outstanding features.



Heirloom towel warmers are proudly designed and marketed in Australasia by Heirloom International, a 100% New Zealand owned company.



For installation flexibility and confidence all Heirloom warmers are Australasian Standard rated for positioning in bathroom Zone 1, the area next to baths and showers.



Heirloom Strata stainless steel towel warmers have a 10 year warranty.



Heirloom towel warmers are designed in New Zealand specifically for the Australasian market. They are tested and certified by a world class New Zealand testing laboratory to meet stringent Australasian product standards.



Strata stainless steel warmers can be wired on left or right hand side so you don't need to decide in advance. It makes installation easier.



Heirloom Strata Black and Gunmetal towel warmers have a 5 year warranty.



Heirloom Strata towel warmer designs are compliant with the Australasian Standard and have the top IP47 rating for installation safety.



Strata warmers are powered by Heirloom's Strata transformer.

Should you need further help or information, feel free to contact us via our website, [www.heirloom.co.nz](http://www.heirloom.co.nz), or on our Customer Helpline 0800 HEIRLOOM (434 756). Heirloom reserves the right to alter design, material, and specifications without notice. All dimensions are subject to manufacturing tolerances and should be checked prior to installation.