

iStone Oval Basin



WD3857CQ

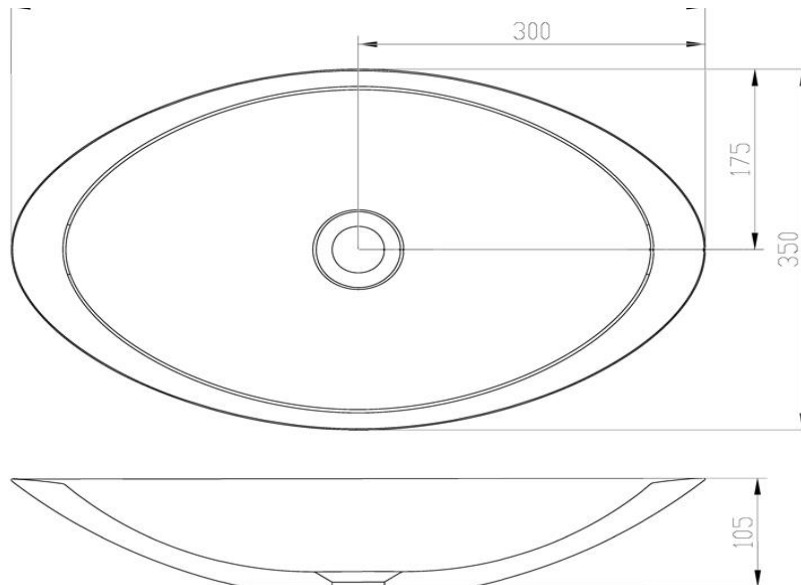
iStone Oval Basin 600 x 105 x 350mm Carbon Quartz

iStone carbon quartz oval basin

600mm wide x 105mm high x 350mm deep

Made from a solid homogeneous composite material which is dimensionally accurate, inert, non toxic, durable and repairable.

Note: Klikclak wastes are sold separately



CARE AND USE

iStone Basins

iStone composite stone basins should be wiped clean regularly and are best cleaned with cream or mild abrasive cleaners. Do not use harsh abrasives on the basin surfaces.

LIMITED PRODUCT WARRANTIES

To be read in conjunction with and subject to all terms and conditions contained in the Waterware 'Producer Statement' available on-line (<http://www.waterware.co.nz/media-downloads>) From date of purchase, Waterware Services warrants products from the following categories to be free from manufacturing defect subject to exclusions (if applicable):

Category	Domestic Installations	Commercial Installations	Exclusions	Wells
Basins	5 years parts and labour	1 years parts and labour	None	Not required