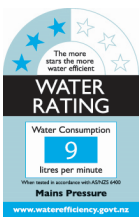


### WAIRERE SHOWER SYSTEM



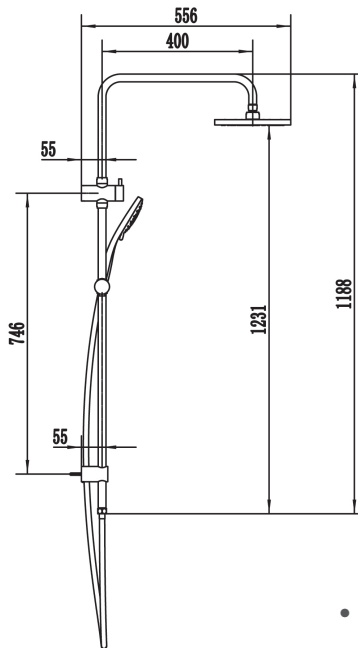
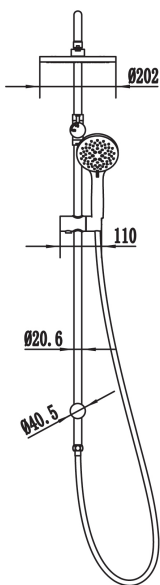
Twist Free  
Hose



Drencher



Handset



- Advanced Airstream™ spray mixes air with water to create a softer, lighter and voluminous shower experience
- 5 Function – Airstream™ - Spray, Bubble, Massage, Spray +Bubble, Spray+Massage
- 110mm adjustable spray handset with single function 200mm diameter slim line overhead drencher
- Twin shower rail with in-built water delivery point to eliminate the need for a separate wall elbow
- Adjustable bottom pillar for easy retro-fit installation
- Height adjustable handset holder with push button slider
- Easy switch from handset to overhead drencher with the water diverter
- Rub clean silicon jets on the faceplate to help prevent build up of lime scale and calcium deposits, maintaining shower performance
- Strong and durable Satin-Smooth hose

**FUNCTIONS:** Airstream™, Bubble, Massage, Spray +Bubble, Spray+Massage

**INSTALL METHOD:** Adjustable Bottom Pillar

**SUPPLY:** Mains Pressure

**CONNECTIONS:** 1/2" BSP

**WORKING PRESSURES:** 150 - 500 kpa

**OPERATING TEMPERATURE:** Recommended 50°C\*\*

\*\*Refer AS/NZS 3500

WISSBK

Matte Black

<http://www.methven.com/nz/>